



*“Stronger in the Storm”™*

# Introducing the QuickTie™ Truss Hanger and Connector Series



Parts not proportional or to scale.



Main Office: 13300 Vantage Way | Jacksonville, FL 32218 | (904) 281-0525 | To Order: [orders@quicktieproducts.com](mailto:orders@quicktieproducts.com) | [quicktie.com](http://quicktie.com)



QUICK TIE PRODUCTS, INC. | TRUSS HANGER AND CONNECTOR SERIES | SPRING 2026



PRODUCT	PAGE NO.	PRODUCT	PAGE NO.	PRODUCT	PAGE NO.
<b>TRUSS HANGERS</b>					
<b>Truss Hip-Jack Hangers</b>		<b>Post Install Girder Tie Downs</b>		<b>Medium Twist Straps/Heavy Twist Straps</b>	
THJH	New 4	PHGT	10	MTS	14
<b>Truss Strap Hangers</b>		PHHGT	10	HTS	14
TSH	New 4	<b>Slope Skew Hangers</b>		<b>Hurricane Gusset Angles</b>	
<b>Skewed Joist/Truss Hangers</b>		ULPSSH	New 10	HGA	15
UMS Series	New 6	<b>Corner Hip Plates</b>		HGAM	15
UHS Series	New 6	CHP	New 11	<b>Top Mount Heavy Beam/Truss Hangers</b>	
<b>Face Mount Joist/Truss Hangers</b>		<b>Embedded Truss Anchor Straps</b>		TFHBH	15
UMH Series	New 7	METAS/HETAS	12	<b>Jack Truss Connector</b>	
UHH Series	New 7	<b>Hurricane Anchors/Clips</b>		JTC	New 16
UHD Series	New 7	HA4	13	<b>Shear Clips</b>	
<b>CONNECTORS</b>					
<b>Tension-Compression Drag Strut Connectors</b>		HA6	13	SC/SC-F	16
TCC	New 9	HA8	13	<b>Structural Wood Screws</b>	
<b>Truss Clips</b>		HA10	13	Hex Head	17
TR	New 9	<b>Girder Connectors</b>		Flat Head	17
		QGC	14	Fillister Head	17
		QCGW	14	Truss/Stud	17

## QuickTie™ Product Index

Below is the QuickTie™ product index, noting product categories, QuickTie™ part numbers, catalog page numbers, and certain “Reference Numbers”. References Numbers are also displayed in the load tables for Face Mount Joist/Truss Hangers (page 7-8).

These Reference Numbers are for the purpose of enabling our customers to identify the QuickTie™ alternative to specified product names, but the attributes of the products references (particularly load values) may differ from the QuickTie™ part.

Please note that product comparison via Reference Numbers is for general application comparison only. Reference Numbers should not be used as an apples-to-apples substitution tool. Customers are solely responsible for comparing specific load values, fastener schedules, anchoring requirements, material specifications, and other factors when determining the suitability of use of any particular product. QuickTie™ makes no claim, stated or implied, of suitability for purpose or qualification for usage of our products that may be substituted for a specified product. Any specification, submittal, or change to a specified product should be approved in writing by the designer or Engineer of Record (EOR).

MiTek® and Simpson Strong-Tie® are registered trademarks of their respective companies, with which QuickTie™ is unaffiliated, and neither of whom endorse or approve use of their product names in this catalog as “reference numbers”.

QT Products	QT	Reference Numbers		Page
		Simpson® Hardware (SH)	MiTek® Hardware (MH)	

TRUSS HANGERS				
Truss Hip-Jack Hangers	THJH26	THJU26	HJC26	3
	THJH26-W	THJU26-W	HJC26SK60	
Top and Face Mount Hangers				
Truss Strap Hangers	TSH29	THA29	MSH29	3
	TSH213	THA213	MSH213	
	TSH218	THA218	MSH218	
	TSH218-2	THA218-2	MSH218-2	
	TSH222-2	THA222-2	MSH222-2	
	TSH413	THA413	MSH413	
	TSH418	THA418	MSH418	
	TSH422	THA422, THA422Z	MSH422, MSH422-TZ	
	TSH422-2	THA422-2	MSH422-2	
	TSH426	THA426	MSH426	
TSH426-2	THA426-2	MSH426-2		
Skewed Joist/Truss Hangers				
Skewed U Hangers	UMSR/L24	SULR/L24	SKH24L/R	5

QT Products	QT	Reference Numbers		Page
		Simpson® Hardware (SH)	MiTek® Hardware (MH)	

Skewed Joist/Truss Hangers Cont.				
Skewed U Hangers	UMSR/L26/28	SUR/L26	SKH26L/R	5
	UMSR/L210/12	SUR/L210	SKH210L/R	
	UMSR/L214	SUR/L214	SKH210L/R	
	UMSR/L46/48	SUR/L46/48	SKH46L/R	
	UMSR/L410/412	SUR/L410/412	SKH410L/R	
	UMSR/L414	SUR/L414	SKH414L/R	
	UMSR/L2.56-9	SUR/L2.56/9	SKH2520L/R	
	UMSR/L2.56-11	SUR/L2.56/11	SKH2524L/R	
	UMSR/L26-2/28-2	SUR/L26-2	SKH26L/R-2	
	UMSR/L210-2/212-2	SUR/L210-2	SKH210L/R-2	
	UHSR/L46/48	HSUR/L46	SKHH46L/R	
	UHSR/L410/412	HSUR/L410	SKHH410L/R	
	UHSR/L414	HSUR/L414	SKHH414L/R	
	UHSR/L26-2/28-2	HSUR/L26-2	SKHH26L/R-2	
	UHSR/L210-2/212-2	HSUR/L210-2	SKHH210L/R-2	
UHSR/L214-2	HSUR/L214-2	SKHH210L/R-2		

# QuickTie™ Product Index

QT Products		QT	Reference Numbers		Page
			Simpson® Hardware (SH)	MiTek® Hardware (MH)	
<b>Joist/Truss Hangers</b>					
2x6	1-ply	UMH26	HUS26, HUS26Z	HUS26, HUS26-TZ	
2x8	1-ply	UMH28	HUS28, HUS28Z	HUS28, HUS28-TZ	
2x10	1-ply	UMH210	HUS210, HUS210Z	HUS210, HUS210-TZ	
(2) 2x6	2-ply	UHH26-2	HHUS26-2, HHUS26-2Z	THD26-2	
(2) 2x8	2-ply	UHH28-2	HHUS28-2, HHUS28-2Z	THD28-2, THD28-2TZ	
(2) 2x10	2-ply	UHH210-2	HHUS210-2, HHUS210-2Z	THD210-2, THD210-2TZ	
(3) 2x10	3-ply	UHH210-3	HHUS210-3	THD210-3	5
(4) 2x10	4-ply	UHH210-4	HHUS210-4	THD210-4	
4x6	1-ply	UHH46	HHUS46, HHUS46Z	THD46, THD46-TZ	
4x8	1-ply	UHH48	HHUS48, HHUS48Z	THD48, THD48-TZ	
4x10	1-ply	UHH410	HHUS410, HHUS410Z	THD410, THD410-TZ	
6x10	1-ply SCL	UHH610	HHUS5.50/10	THD610	
7x10	1-ply SCL/Glulam	UHH7210	HHUS7.25/10	THD7210	
2x6	1-ply	UHD26	HGUS26	THDH26	
(2) 2x6	2-ply	UHD26-2	HGUS26-2	THDH26-2	
(3) 2x6	3-ply	UHD26-3	HGUS26-3	THDH26-3	
(4) 2x6	4-ply	UHD26-4	HGUS26-4	THDH26-4	
2x8	1-ply	UHD28	HGUS28	THDH28	
(2) 2x8	2-ply	UHD28-2	HGUS28-2	THDH28-2	
(3) 2x8	3-ply	UHD28-3	HGUS28-3	THDH28-3	
(4) 2x8	4-ply	UHD28-4	HGUS28-4	THDH28-4	
2x10	1-ply	UHD210	HGUS210	THDH210	
(2) 2x10	2-ply	UHD210-2	HGUS210-2	THDH210-2	
(3) 2x10	3-ply	UHD210-3	HGUS210-3	THDH210-3	
(4) 2x10	4-ply	UHD210-4	HGUS210-4	-	
(3) 2x12	3-ply	UHD212-3	HGUS212-3	THDH212-3	
(4) 2x12	4-ply	UHD212-4	HGUS212-4	-	
(3) 2x14	3-ply	UHD214-3	HGUS214-3	THDH214-3	
(4) 2x14	4-ply	UHD214-4	HGUS214-4	-	
3x10	1-ply Glulam	UHD3210	HGUS3.25/10	THDH3210	
3x12	1-ply Glulam	UHD3212	HGUS3.25/12	THDH3212	
4x6	1-ply	UHD46	HGUS46	THD46	
4x8	1-ply	UHD48	HGUS48	THD48	
4x10	1-ply	UHD410	HGUS410	THD410	7
(2) 4x10	2-ply	UHD7310	HGUS7.37/10	-	
4x12	1-ply	UHD412	HGUS412	THD412	
(2) 4x12	2-ply	UHD7312	HGUS7.37/12	-	
4x14	1-ply	UHD414	HGUS414	THD414	
(2) 4x14	2-ply	UHD7314	HGUS7.37/14	-	
6x8	1-ply SCL	UHD558	HGUS5.50/8	-	
6x10	1-ply SCL	UHD5510	HGUS5.50/10	-	
6x10G	1-ply Glulam	UHD5210	HGUS5.25/10	-	
6x12	1-ply SCL	UHD5512	HGUS5.50/12	-	
6x12G	1-ply Glulam	UHD5212	HGUS5.25/12	THDH612	
6x14	1-ply SCL	UHD5514	HGUS5.50/14	THDH614	
7x10	1-ply Glulam	UHD6810	HGUS6.88/10	THDH6710	
7x12	1-ply Glulam	UHD6812	HGUS6.88/12	THDH6712	
7x14	1-ply Glulam	UHD6814	HGUS6.88/14	THDH6714	
8x10	1-ply SCL/Glulam	UHD7210	HGUS7.25/10	THDH7210	
8x12	1-ply SCL/Glulam	UHD7212	HGUS7.25/12	THDH7212	
8x14	1-ply SCL/Glulam	UHD7214	HGUS7.25/14	THDH7214	

QT Products		QT	Reference Numbers		Page
			Simpson® Hardware (SH)	MiTek® Hardware (MH)	
<b>Truss Connectors</b>					
Tension-Compression Connectors (Drag Strut Connectors)	TCC16R	DSC2R-SDS3	-	9	
	TCC16L	DSC2L-SDS3	-		
	TCC21R	DSC5R-SDS3	DSC4R		
	TCC21L	DSC5L-SDS3	DSC4L		
Truss Clips	TR1	STC	TR1	9	
	TR2	DTC	TR2		
	TR3	HTC4	HTC4		
Girder Tie Downs	PHGT2	LGT2	LUGT2	10	
	PHHG3	LGT3-SDS2.5	LUGT3		
	PHHG4	LGT4-SDS3	LUGT4		
Sloped/Skewed Hangers	ULPSSH26	LSSJ26L/RZ, LSU26, LSU26Z, LSSU28, LSSU28Z	LSSH15-TZ	10	
	ULPSSH181	LSSR1.81Z	LSSH179, LSSH179-TZ		
	ULPSSH210	LSSU210, LSSU210Z	LSSH210, LSSH210-TZ		
Corner Hip Plates	CHP1.81	HCP1.81	-	10	
	CHP2	HCP2, HCP2Z	HHCP2, HHCP2-TZ		
	CHP4	HCP4Z	HHCP4-TZ		
Embedded Truss Anchor Straps	METAS12-3Z	META12	HTA16-18	12	
	METAS16-3Z	META16	HTA16-18		
	METAS18-3Z	META18	HTA20-18		
	METAS20-3Z	META20, META20Z	HTA20-18, HTA20-TZ		
	METAS24-3Z	META24	HTA24-18		
	METAS40-3Z	META40	HTA48		
	HETAS12-3Z	HETA12	HTA12		
	HETAS16-3Z	HETA16	HTA16		
	HETAS20-3Z	HETA20, HETA20Z	HTA20, HTA20-TZ		
	HETAS24-3Z	HETA24	HTA24		
HETAS40-3Z	HETA40	HTA48			
Hurricane Anchors	HA4	H3, H3Z	RT3A, RT3A-TZ, RT4, RT4-TZ, RT5, RT5-TZ	13	
	HA6	H2.5A, H2.5AZ, H2.5T	RT7A, RT7A-TZ, RT7AT		
	HA8	H8, H8Z	RT8A, RT8A-TZ		
	HA10	H10A, H10AZ, H14	RT16A, RT16A-TZ		
	HA10R	H10AR	RT16AR		
	HA10-2	H10A-2, H10A-2Z	RT16-2, RT16-2TZ		
Twist Straps	MTS12-3Z	MTS12, MTS12Z	MTW12, MTW12-TZ	13	
	HTS16-3Z	HTS16	HTW16		
	HTS20-3Z	HTS20, HTS20Z	HTW20, HTW20-TZ		
	HTS24-3Z	HTS24	HTW24		
	HTS28-3Z	-	HTW28		
Girder Connector	QGC	MGT, VGT	MUGT15	14	
	QGCW	MGT, VGT	MUGT15		
Hurricane Gusset Angles	HGAKT	HGA10KT	HGA10KT	14	
	HGAMKT	HGAM10KTA	HGAM10KT		
Top Mount Heavy Beam Hangers	TFHBH3512	HGLTV3.512	HLBH3512	14	
	TFHBH3514	HGLTV3.514	HLBH3514		
	TFHBH3516	HGLTV3.516	HLBH3516		
	TFHBH3518	HGLTV3.518	HLBH3518		
	TFHBH3520	HGLTV3.520	HLBH3520		
	TFHBH3595	HGLTV3.59	HLBH3595		
	TFHBH5514	HGLTV5.50H=14	14 / HLHB5514		
	TFHBH5516	HGLTV5.50H=16	16 / HLHB5516		
TFHBH5518	HGLTV5.50H=18	18 / HLHB5518			
Jack Truss Connector	JTC37-3Z	TJC37	SNP3	15	
	JTC57-3Z	TJC57	-		
Shear Clips/Flats	SC34	A34, A34Z	MP34, MP34-TZ	16	
	SC35	A35, A35Z, L50, L50Z, L70, L70Z, L90, L90Z	MPA1, MPA1-TZ, AC5, AC5-TZ, AC7, AC7-TZ, AC9, AC9-TZ		
	SC35F	LTP4, LTP4Z, LTP5	MP4F, MP4F-TZ, MP6F		
Screws	SWH	SDS	WS	17	
	SWF	SDW	WSWH		
	SWL	SD	LL		
	SWT	SDWC	WSTS		

# Truss Hangers

## TRUSS HIP-JACK HANGERS (THJH)

**PRODUCT FEATURES:**

The truss hip/jack hanger is designed to securely attach the hip and jack trusses to the girder truss, its wide seat design allows for the use of both 2-ply and a combination of 1-ply and 2-ply hip and jack trusses.

**MATERIAL:**

THJH / THJH-W - 12 ga



**COATING:**

Galvanized (G185)

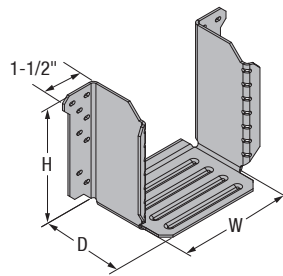


**INSTALLATION:**

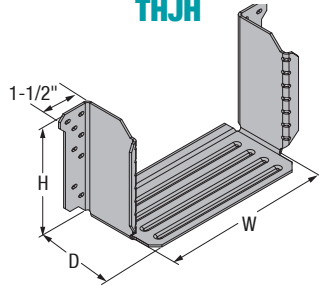
- Use all specified fasteners in schedule to achieve values indicated.

**CODE COMPLIANCE:**

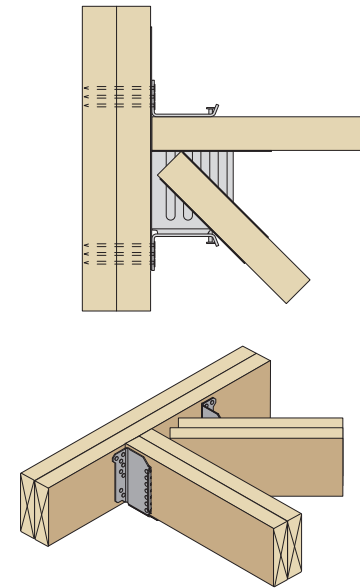
TER 1811-03, FL 3557



**THJH**



**THJH-W**



## ALLOWABLE LOADS FOR THJH (LB)<sup>1,2</sup>

Part No.	Joist Size	Hanger Dimensions (in.)			Fasteners				SP/DF-L (0.50)				HF/SPF (0.42)			
		Width, W (in.)	Height, H (in.)	Depth, D (in.)	Headers		Joist		Floor	Roof	Roof	Uplift	Floor	Roof	Roof	Uplift
					Qty	Size	Qty	Size	1.0	1.15	1.25	1.6	1.0	1.15	1.25	1.6
THJH26	2x6	5-1/8	5-3/8	3-1/2	16	10d Common	14	10d x 1-1/2	2,255	2,435	2,435	1,425	1,960	2,120	2,120	1,235
THJH26-W	(2) 2x6	8-1/8	5-3/8	3-1/2	16	10d Common	14	10d Common	2,255	2,590	2,710	1,675	1,950	1,950	1,950	1,455

**NOTES:**

1. Allowable loads are the combined loads of the hip and jack members: 65% of the load shall be distributed by the hip member, and 35% of the load shall be distributed by the jack.
2. Allowable loads applicable for hip skews up to 45 deg.

## TRUSS STRAP HANGERS (TSH)

**PRODUCT FEATURES:**

TSH (Truss Strap Hangers) are long strap hangers designed for both face mount and top mount applications.

**MATERIAL:**

TSH Series – 18 ga, 16 ga, & 14 ga



**COATING:**

Galvanized (G185)

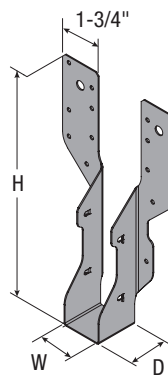


**INSTALLATION:**

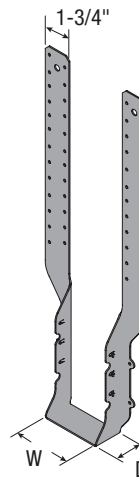
- Use all specified fasteners in schedule to achieve values indicated.

**CODE COMPLIANCE:**

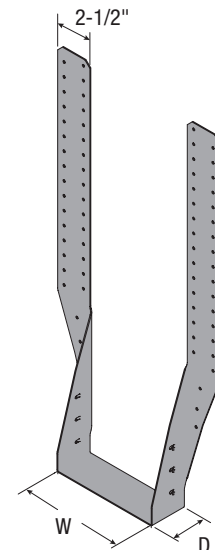
TER 1811-03, FL 3557



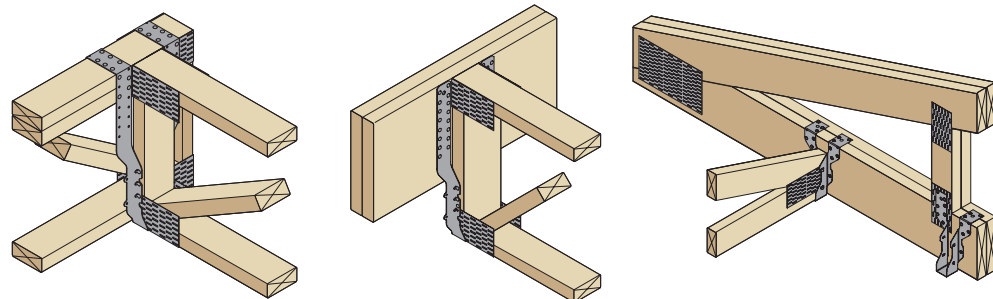
**TSH2X**



**TSH4X**



**TSH4X (2-PLY)**



# Truss Hangers

## ALLOWABLE LOADS FOR TSH SERIES HANGERS (TOP MOUNT)<sup>1,2,3,4</sup>

Part No.	Hanger Dimensions (in.)			Steel Thick.	Fasteners				SP (G = 0.55)				DF-L (G = 0.50)				HF/SPF (G = 0.42)				
	Width, W	Height, H	Depth, D		Header		Joist		Floor	Roof	Roof	Uplift	Floor	Roof	Roof	Uplift	Floor	Roof	Roof	Uplift	
					Qty	Size	Qty	Size	1.0	1.15	1.25	1.6	1.0	1.15	1.25	1.6	1.0	1.15	1.25	1.6	
									Face	Top											
TSH29	1-5/8	9-11/16	1-3/4	18 ga	6	4	10d	4	10d	2,345	2,695	2,875	1,155	2,025	2,325	2,530	1,070	1,505	1,735	1,885	925
TSH213	1-5/8	13-5/16	1-3/4	18 ga	6	4	10d	4	10d	2,435	2,800	2,985	1,000	2,110	2,420	2,635	930	1,580	1,820	1,975	805
TSH218	1-5/8	17-3/16	1-3/4	18 ga	6	4	10d	6	10d	2,520	2,900	3,090	840	2,190	2,515	2,735	785	1,650	1,900	2,065	680
TSH218-2	3-1/8	17-11/16	1-3/4	16 ga	6	4	16d	6	16d	4,625	4,745	4,745	2,835	3,990	4,585	4,665	2,690	2,965	3,410	3,705	2,325
TSH222-2	3-1/8	22-3/16	1-3/4	16 ga	6	4	16d	6	16d	4,625	4,745	4,745	2,835	3,990	4,585	4,665	2,690	2,965	3,410	3,705	2,325
TSH413	3-5/8	13-5/16	1-3/4	18 ga	6	4	16d	4	16d	3,115	3,115	3,115	1,140	2,875	2,875	2,875	1,060	1,315	1,510	1,640	920
TSH418	3-5/8	17-1/2	1-3/4	16 ga	6	4	10d	6	10d	3,800	3,800	3,800	1,785	3,525	3,525	3,525	1,650	2,345	2,555	2,620	1,430
					6	4	16d	6	16d	4,490	4,490	4,490	2,425	3,970	3,970	3,970	2,260	3,000	3,595	3,595	1,950
TSH422	3-5/8	22	1-3/4	16 ga	6	4	16d	6	16d	4,490	4,490	4,490	2,425	3,970	3,970	3,970	2,260	3,000	3,595	3,595	1,950
TSH422-2	7-1/4	22-11/16	2-1/2	14 ga	8	4	16d	6	16d	4,055	4,055	4,055	2,390	3,830	3,830	3,830	2,210	3,315	3,315	3,315	1,910
TSH426	3-5/8	26	1-3/4	14 ga	8	4	16d	6	16d	4,645	4,645	4,645	2,420	4,350	4,350	4,350	2,245	3,375	3,765	3,765	1,955
TSH426-2	7-1/4	26-1/16	2-1/2	14 ga	8	4	16d	6	16d	4,055	4,055	4,055	2,390	3,830	3,830	3,830	2,210	3,315	3,315	3,315	1,910

### NOTES:

1. Nails designated as 16d shall be 16d common nails (0.162" x 3.5", F<sub>y</sub> = 90,000 psi) and 10d shall be 10d common nails (0.148" x 3", F<sub>y</sub> = 90,000 psi), unless otherwise noted in the tables.
2. Allowable loads are provided for load duration factors (C<sub>D</sub>) of 1.0, 1.15, 1.25 and 1.6.
3. Uplift loads have been increased for wind/earthquake load duration (C<sub>D</sub> = 1.6). No further increases permitted. Allowable uplift loads shall be reduced where other load conditions govern.
4. Allowable loads labeled "Floor" and "Roof" represent gravity loads.

## ALLOWABLE LOADS FOR TSH SERIES HANGERS (FACE MOUNT)<sup>1,2,3,4</sup>

Part No.	Hanger Dimensions (in.)			Steel Thick.	Fasteners				SP (G = 0.55)				DF-L (G = 0.50)				HF/SPF (G = 0.42)			
	Width, W	Height, H	Depth, D		Header		Joist		Floor	Roof	Roof	Uplift	Floor	Roof	Roof	Uplift	Floor	Roof	Roof	Uplift
					Qty	Size	Qty	Size	1.0	1.15	1.25	1.6	1.0	1.15	1.25	1.6	1.0	1.15	1.25	1.6
TSH29	1-5/8	9-11/16	1-3/4	18 ga	16	10d	4	10d	2,115	2,115	2,115	1,155	1,910	1,910	1,910	1,070	1,455	1,455	1,455	925
TSH213	1-5/8	13-5/16	1-3/4	18 ga	14	10d	4	10d	2,115	2,115	2,115	1,005	1,930	1,930	1,930	930	1,480	1,570	1,570	805
TSH218	1-5/8	17-3/16	1-3/4	18 ga	18	10d	4	10d	2,115	2,115	2,115	850	1,950	1,950	1,950	790	1,505	1,680	1,680	685
TSH218-2	3-1/8	17-11/16	1-3/4	16 ga	22	16d	6	16d	4,100	4,715	5,120	2,835	3,790	4,355	4,735	2,710	2,965	3,410	3,705	2,335
TSH222-2	3-1/8	22-3/16	1-3/4	16 ga	22	16d	6	16d	4,100	4,715	5,120	2,835	3,790	4,355	4,735	2,710	2,965	3,410	3,705	2,335
TSH413	3-5/8	13-5/16	1-3/4	18 ga	14	16d	4	16d	2,160	2,485	2,700	1,145	1,995	2,295	2,495	1,065	1,720	1,980	2,150	925
TSH418	3-5/8	17-1/2	1-3/4	16 ga	22	10d	6	10d	3,275	3,770	4,095	1,950	3,030	3,480	3,785	1,800	2,620	3,010	3,275	1,555
					22	16d	6	16d	4,100	4,715	5,120	2,440	3,790	4,355	4,735	2,255	3,330	3,765	4,095	1,945
TSH422	3-5/8	22	1-3/4	16 ga	22	16d	6	16d	4,100	4,715	5,120	2,440	3,790	4,355	4,735	2,255	3,275	3,765	4,095	1,945
TSH422-2	7-1/4	22-11/16	2-1/2	14 ga	30	16d	6	16d	5,190	5,190	5,190	2,400	4,800	4,800	4,800	2,220	4,150	4,150	4,150	1,920
TSH426	3-5/8	26	1-3/4	14 ga	30	16d	6	16d	4,990	4,990	4,990	2,435	4,555	4,615	4,615	2,260	3,375	3,880	3,990	1,970
TSH426-2	7-1/4	26-1/16	2-1/2	14 ga	38	16d	6	16d	5,190	5,190	5,190	2,400	4,800	4,800	4,800	2,220	4,150	4,150	4,150	1,920

### NOTES:

1. Nails designated as 16d shall be 16d common nails (0.162" x 3.5", F<sub>y</sub> = 90,000 psi) and 10d shall be 10d common nails (0.148" x 3", F<sub>y</sub> = 90,000 psi), unless otherwise noted in the tables.
2. Allowable loads are provided for load duration factors (C<sub>D</sub>) of 1.0, 1.15, 1.25 and 1.6.
3. Uplift loads have been increased for wind/earthquake load duration (C<sub>D</sub> = 1.6). No further increases permitted. Allowable uplift loads shall be reduced where other load conditions govern.
4. Allowable loads labeled "Floor" and "Roof" represent gravity loads.

## SLOPED /SKEWED U HANGERS (UMS & UHS)

### PRODUCT FEATURES:

The UMSR/L and UHSR/L series are face mount U-hangers, skewed at a 45-degree angle (R - Right or L- Left), used for connecting skewed joist/beam to the headers or trusses.

### MATERIAL:

UMSR/L - 16 Gauge  
UHSR/L - 14 Gauge

### COATING:

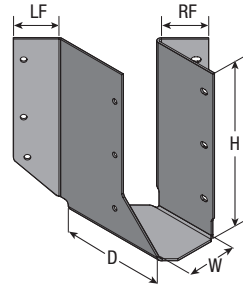
Galvanized (G185)

### INSTALLATION:

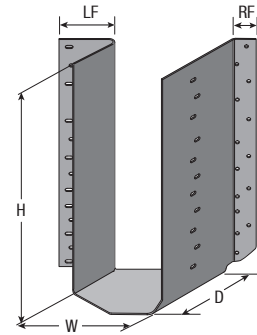
- Use all specified fasteners in schedule to achieve values indicated.

### CODE COMPLIANCE:

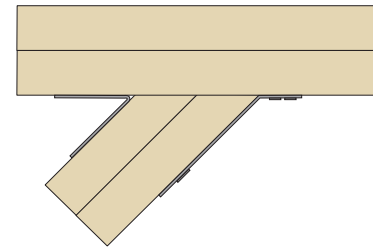
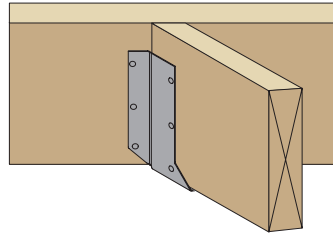
TER 1811-03; FL 3557



UMSR26



UHSL414



## ALLOWABLE LOADS FOR UMSR/L SERIES<sup>1,2,3</sup>

Part No.	Hanger Dimensions (in.)					Fasteners				SP/DF-L				HF/SPF			
	Width W (in.)	Height H (in.)	Depth D (in.)	LF (in.)	RF (in.)	Header		Joist		Floor 1.0	Roof 1.15	Roof 1.25	Uplift 1.6	Floor 1.0	Roof 1.15	Roof 1.25	Uplift 1.6
						Qty	Size	Qty	Size								
UMSR/L24	1-9/16	3-1/2	2	1-1/8	1-1/4	4	16d	4	10d x 1-1/2	625	695	695	395	575	660	660	395
UMSR/L26	1-9/16	5	2	1-1/8	1-5/16	6	16d	6	10d x 1-1/2	935	1,075	1,170	755	865	995	1,080	700
UMSR/L210	1-9/16	8-3/16	2	1-1/8	1-5/16	10	16d	10	10d x 1-1/2	1,555	1,795	1,945	990	1,440	1,660	1,795	990
UMSR/L214	1-9/16	10	2	1-1/8	1-5/16	12	16d	12	16d	1,870	2,155	2,340	2,530	1,730	1,990	2,160	2,340
UMSR/L26-2	3-1/8	4-15/16	2-5/8	1-1/8	2-1/8	8	16d	4	16d	1,250	1,435	1,560	1,030	1,190	1,370	1,490	955
UMSR/L210-2	3-1/8	9-1/4	2-5/8	1-1/8	2-1/8	14	16d	6	16d	2,030	2,335	2,535	1,545	1,935	2,225	2,420	1,430
UMSR/L46	3-9/16	4-1/4	2-5/8	1-7/16	2-3/8	8	16d	4	16d	1,250	1,435	1,560	1,030	1,190	1,370	1,490	955
UMSR/L410	3-9/16	8-1/2	2-5/8	1-1/4	2-3/16	14	16d	6	16d	2,030	2,335	2,535	1,545	1,935	2,225	2,420	1,430
UMSR/L414*	3-9/16	12-1/2	2-5/8	1-7/16	2-3/8	18	16d	8	16d	2,810	3,230	3,510	2,060	2,680	3,080	3,350	1,905
UMSR/L2.56-9	2-9/16	8-13/16	3-3/16	1-1/4	2-3/16	14	16d	2	10d	2,030	2,335	2,535	380	1,935	2,225	2,420	320
UMSR/L2.56-11	2-9/16	11-3/16	3-3/16	1-1/4	2-3/16	16	16d	2	10d	2,420	2,785	3,025	380	4830	5555	6040	4910

### NOTES:

- Allowable loads are provided for load duration factors ( $C_D$ ) of 1.0, 1.15, 1.25 and 1.6.
  - Uplift loads have been increased for wind/earthquake load duration ( $C_D = 1.6$ ). No further increases permitted. Allowable uplift loads shall be reduced where other load conditions govern.
  - Allowable loads labeled "Floor" and "Roof" represent gravity loads.
- \* Install the joist with a miter-cut end and double shear nails.

## ALLOWABLE LOADS FOR UHSR/L SERIES<sup>1,2,3</sup>

Part No.	Hanger Dimensions (in.)					Fasteners				SP/DF-L				HF/SPF			
	Width W (in.)	Height H (in.)	Depth D (in.)	LF (in.)	RF (in.)	Header		Joist		Floor 1.0	Roof 1.15	Roof 1.25	Uplift 1.6	Floor 1.0	Roof 1.15	Roof 1.25	Uplift 1.6
						Qty	Size	Qty	Size								
UHSR/L26-2	3-1/8	4-15/16	2-7/16	1-1/8	1-1/4	12	16d	4	16d	1,785	1,965	1,965	955	1,545	1,550	1,550	825
UHSR/L210-2	3-1/8	8-11/16	2-7/16	1-1/8	1-5/16	20	16d	6	16d	2,905	3,340	3,625	1,430	2,510	2,885	2,965	1,235
UHSR/L214-2*	3-1/8	12-11/16	2-7/16	1-1/8	1-5/16	26	16d	8	16d	3,870	4,450	4,835	1,905	3,345	3,845	3,955	1,645
UHSR/L46	3-9/16	4-3/4	2-7/16	1-1/8	1-5/16	12	16d	4	16d	1,785	1,965	1,965	955	1,545	1,550	1,550	825
UHSR/L410	3-9/16	8-1/2	2-7/16	1-1/8	2-1/8	20	16d	6	16d	2,905	3,340	3,625	1,430	2,510	2,885	2,965	1,235
UHSR/L414*	3-9/16	12-1/2	2-7/16	1-1/8	2-1/8	26	16d	8	16d	3,870	4,450	4,835	1,905	3,345	3,845	3,955	1,645

### NOTES:

- Allowable loads are provided for load duration factors ( $C_D$ ) of 1.0, 1.15, 1.25 and 1.6.
  - Uplift loads have been increased for wind/earthquake load duration ( $C_D = 1.6$ ). No further increases permitted. Allowable uplift loads shall be reduced where other load conditions govern.
  - Allowable loads labeled "Floor" and "Roof" represent gravity loads.
- \* Install the joist with a miter-cut end and double shear nails.

# Joist/Truss Hangers

## U HANGERS (UMH, UHH & UHD SERIES)

### PRODUCT FEATURES:

U-Hangers are face mount joist hangers used to resist gravity loads and uplift loads due to wind in one-, two- and three-ply joist assemblies in light-frame wood construction.

### MATERIAL:

UMH Series - 16 Gauge

UHH Series - 14 Gauge

UHD Series - 12 Gauge

### COATING:

Galvanized (G185)

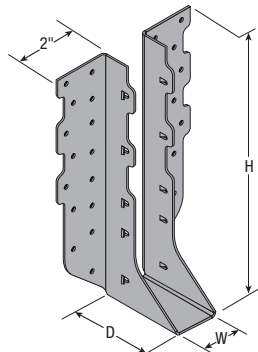


### INSTALLATION:

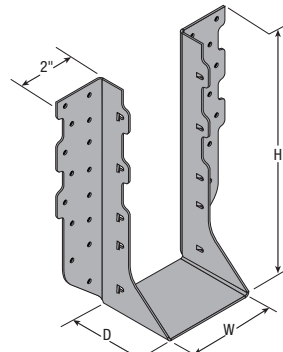
- Use all specified fasteners in schedule to achieve values indicated.
- All U-Hangers have slant nailing. These must be used to achieve published load values. The nails must be driven at an angle (approx. 41°) in the joist and into the header.
- For all Hangers, use 16d common nails (0.162 x 3-1/2") for hanger-to-header attachment.
- Hangers are not allowed to be modified.
- Hangers are not designed for welded applications.

### CODE COMPLIANCE:

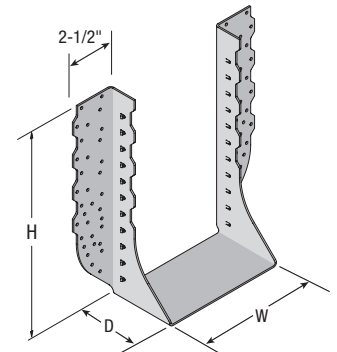
TER 1811-03; FL 3557



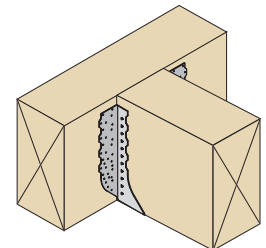
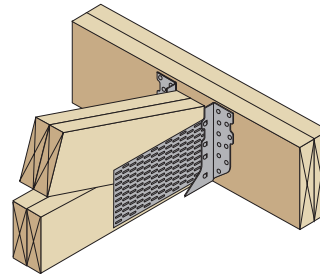
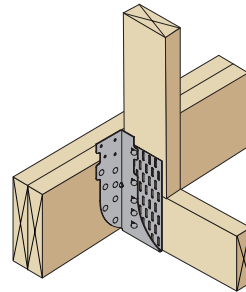
UMH



UHH



UHD



## ALLOWABLE LOADS FOR UMH & UHH SERIES HANGERS (LB)<sup>1,2,3</sup>

Joist Size	Part No.					QUICKTIE PART ATTRIBUTES																		
	QT	Reference No. <sup>4</sup>		Dimensions (in.)			Fasteners				SP (SG = 0.55)				DF-L (SG = 0.50)				HF/SPF (SG = 0.42)					
		Simpson® Hardware (SH)	MiTek® Hardware (MH)	Width, W	Height, H	Depth, D	Header		Joist		Floor	Roof	Roof	Uplift	Floor	Roof	Roof	Uplift	Floor	Roof	Roof	Uplift		
UMH (16 ga)	2x6	1-ply	UMH26	HUS26, HUS26Z	HUS26, HUS26-TZ	1-5/8	5-3/8	3	14	16d	8	16d	3,050	3,505	3,610	1,440	2,820	3,245	3,525	1,395	2,440	2,805	3,050	1,215
	2x8	1-ply	UMH28	HUS28, HUS28Z	HUS28, HUS28-TZ	1-5/8	7	3	22	16d	10	16d	4,895	5,125	5,175	2,075	4,780	4,995	5,135	1,950	3,315	3,770	3,895	1,690
	2x10	1-ply	UMH210	HUS210, HUS210Z	HUS210, HUS210-TZ	1-5/8	9	3	30	16d	12	16d	6,740	6,740	6,740	2,710	6,740	6,740	6,740	2,505	4,190	4,735	4,735	2,160
UHH (14 ga)	(2) 2x6	2-ply	UHH26-2	HHUS26-2, HHUS26-2Z	THD26-2	3-5/16	5-3/8	3	14	16d	6	16d	2,905	3,340	3,630	1,745	2,685	3,090	3,360	1,615	2,325	2,675	2,905	1,395
	(2) 2x8	2-ply	UHH28-2	HHUS28-2, HHUS28-2Z	THD28-2, THD28-2TZ	3-5/16	7-1/4	3	22	16d	8	16d	4,950	5,170	5,315	2,535	4,840	5,045	5,180	2,345	3,185	3,360	3,475	2,025
	(2) 2x10	2-ply	UHH210-2	HHUS210-2, HHUS210-2Z	THD210-2, THD210-2TZ	3-5/16	9-3/16	3	30	16d	10	16d	6,995	6,995	6,995	3,320	6,995	6,995	6,995	3,070	4,040	4,040	4,040	2,655
	(3) 2x10	3-ply	UHH210-3	HHUS210-3	THD210-3	4-15/16	8-7/8	3	30	16d	10	16d	5,910	6,800	6,985	3,460	5,470	6,290	6,475	3,215	4,825	5,420	5,420	2,800
	(4) 2x10	4-ply	UHH210-4	HHUS210-4	THD210-4	6-1/8	8-7/8	3	30	16d	10	16d	5,910	6,800	6,985	3,460	5,470	6,290	6,475	3,215	4,825	5,420	5,420	2,800
	4x6	1-ply	UHH46	HHUS46, HHUS46Z	THD46, THD46-TZ	3-5/8	5-1/8	3	14	16d	6	16d	2,905	3,340	3,630	1,745	2,685	3,090	3,360	1,615	2,325	2,675	2,905	1,395
	4x8	1-ply	UHH48	HHUS48, HHUS48Z	THD48, THD48-TZ	3-5/8	7-1/8	3	22	16d	8	16d	4,950	5,170	5,315	2,535	4,840	5,045	5,180	2,345	3,185	3,360	3,475	2,025
	4x10	1-ply	UHH410	HHUS410, HHUS410Z	THD410, THD410-TZ	3-5/8	9	3	30	16d	10	16d	6,995	6,995	6,995	3,320	6,995	6,995	6,995	3,070	4,040	4,040	4,040	2,655
	6x10	1-ply SCL	UHH610	HHUS5.50/10	THD610	5-1/2	9	3	30	16d	10	16d	5,910	6,800	6,975	3,460	5,470	6,290	6,630	3,215	4,825	5,535	5,535	2,850
7x10	1-ply SCL/Glulam	UHH7210	HHUS7.25/10	THD7210	7-1/4	9	3-5/16	30	16d	10	16d	5,910	6,800	6,975	3,460	5,470	6,290	6,630	3,215	4,825	5,535	5,535	2,850	

Continued on next page.

### NOTES:

1. Nails designated as 16d shall be 16d common nails (0.162" x 3.5", F<sub>y0</sub> = 90,000 psi) and 10d shall be 10d common nails (0.148" x 3", F<sub>y0</sub> = 90,000 psi).
2. Allowable loads are provided for load duration factor (C<sub>D</sub>) of 1.0, 1.15, 1.25 and 1.6.
3. Allowable loads labeled "Floor" and "Roof" represent gravity loads.
4. These Reference Numbers above are for the purpose of enabling our customers to identify the QuickTie™ alternative to specified product names, but the attributes of the products references (particularly load values) may differ from the QuickTie™ part. Please note that product comparison via Reference Numbers is for general application comparison only. Reference Numbers should not be used as an apples-to-apples substitution tool. Customers are solely responsible for comparing specific load values, fastener schedules, anchoring requirements, material specifications, and other factors when determining the suitability of use of any particular product. QuickTie™ makes no claim, stated or implied, of suitability for purpose or qualification for usage of our products that may be substituted for a specified product. Any specification, submittal, or change to a specified product should be approved in writing by the designer or Engineer of Record (EOR). MiTek® and Simpson Strong-Tie® are registered trademarks of their respective companies, with which QuickTie™ is unaffiliated, and neither of whom endorse or approve use of their product names in this catalog as "reference numbers".

## ALLOWABLE LOADS FOR UH SERIES HANGERS (LB)<sup>1,2,3</sup>

Joist Size			Part No.			QUICKTIE PART ATTRIBUTES																			
						Dimensions			Fasteners				SP <sup>1,2</sup>				DF-L <sup>1,2</sup>				HF/SPF <sup>1,2</sup>				
			QT		Reference No. <sup>4</sup>		Width, W (in.)	Height, H (in.)	Depth, D (in.)	Header		Joist		Floor	Roof	Roof	Uplift	Floor	Roof	Roof	Uplift	Floor	Roof	Roof	Uplift
					Simpson® Hardware (SH)	MiTek® Hardware (MH)				Qty	Size	Qty	Size												
2x6	1-ply	UHD26	HGUS26	THDH26	1-5/8	5-3/8	5	20	16d	8	16d	5,010	5,765	6,265	2,595	4,460	5,130	5,575	2,475	4,060	4,670	5,075	2,170		
	(2) 2x6	2-ply	UHD26-2	HGUS26-2	THDH26-2	3-1/8	4-5/8	4	20	16d	8													16d	
	(3) 2x6	3-ply	UHD26-3	HGUS26-3	THDH26-3	4-5/8	3-7/8	4	20	16d	8													16d	
	(4) 2x6	4-ply	UHD26-4	HGUS26-4	THDH26-4	6-9/16	5-7/16	4	20	16d	8													16d	
2x8	1-ply	UHD28	HGUS28	THDH28	1-5/8	7-1/8	5	36	16d	12	16d	9,375	9,665	9,855	3,550	8,180	8,440	8,610	3,330	6,850	7,505	7,660	2,905		
	(2) 2x8	2-ply	UHD28-2	HGUS28-2	THDH28-2	3-1/8	6-3/8	4	36	16d	12													16d	
	(3) 2x8	3-ply	UHD28-3	HGUS28-3	THDH28-3	4-5/8	5-5/8	4	36	16d	12													16d	
	(4) 2x8	4-ply	UHD28-4	HGUS28-4	THDH28-4	6-9/16	7-3/16	4	36	16d	12													16d	
2x10	1-ply	UHD210	HGUS210	THDH210	1-5/8	9-1/8	5	46	16d	16	16d	12,100	12,100	12,100	4,500	10,505	10,505	10,505	4,180	8,590	9,275	9,275	3,640		
	(2) 2x10	2-ply	UHD210-2	HGUS210-2	THDH210-2	3-1/8	8-3/8	4	46	16d	16													16d	
	(3) 2x10	3-ply	UHD210-3	HGUS210-3	THDH210-3	4-5/8	7-5/8	4	46	16d	16													16d	
	(4) 2x10	4-ply	UHD210-4	HGUS210-4	-	6-9/16	9-3/16	4	46	16d	16													16d	
2x12	3-ply	UHD212-3	HGUS212-3	THDH212-3	4-15/16	8-1/2	4	56	16d	20	16d	13,000	13,000	13,000	5,090	11,570	11,570	11,570	4,655	9,730	10,070	10,070	3,955		
	(4) 2x12	4-ply	UHD212-4	HGUS212-4	-	6-9/16	10-5/8	4	56	16d	20													16d	
	(3) 2x14	3-ply	UHD214-3	HGUS214-3	THDH214-3	4-15/16	12-3/4	4	66	16d	22													16d	
	(4) 2x14	4-ply	UHD214-4	HGUS214-4	-	6-9/16	12-5/8	4	66	16d	22													16d	
UHD (12 ga)	3x10	1-ply Glulam	UHD3210	HGUS3.25/10	THDH3210	3-1/4	8-1/4	4	46	16d	16	16d	12,100	12,100	12,100	4,500	10,505	10,505	10,505	4,180	8,590	9,275	9,275	3,640	
	3x12	1-ply Glulam	UHD3212	HGUS3.25/12	THDH3212	3-1/4	9-3/8	4	56	16d	20	16d	13,000	13,000	13,000	5,090	11,570	11,570	11,570	4,655	9,730	10,070	10,070	3,955	
	4x6	1-ply	UHD46	HGUS46	THD46	3-5/8	4-3/8	4	20	16d	8	16d	5,010	5,765	6,265	2,595	4,460	5,130	5,575	2,475	4,060	4,670	5,075	2,170	
	4x8	1-ply	UHD48	HGUS48	THDH48	3-5/8	6-1/8	4	36	16d	12	16d	9,375	9,665	9,855	3,550	8,180	8,440	8,610	3,330	6,850	7,505	7,660	2,905	
	4x10	1-ply	UHD410	HGUS410	THDH410	3-5/8	8-1/8	4	46	16d	16	16d	12,100	12,100	12,100	4,500	10,505	10,505	10,505	4,180	8,590	9,275	9,275	3,640	
	(2) 4x10	2-ply	UHD7310	HGUS7.37/10	-	7-3/8	8-9/16	4	46	16d	16	16d	13,000	13,000	13,000	5,090	11,570	11,570	11,570	4,655	9,730	10,070	10,070	3,955	
	(2) 4x12	2-ply	UHD7312	HGUS7.37/12	-	7-3/8	10-5/8	4	56	16d	20	16d	13,895	13,895	13,895	5,385	12,635	12,635	12,635	4,895	10,865	10,865	10,865	4,110	
	4x14	1-ply	UHD414	HGUS414	THDH414	3-5/8	12-9/16	4	66	16d	22	16d	13,895	13,895	13,895	5,385	12,635	12,635	12,635	4,895	10,865	10,865	10,865	4,110	
	(2) 4x14	2-ply	UHD7314	HGUS7.37/14	-	7-3/8	12-9/16	4	66	16d	22	16d	13,895	13,895	13,895	5,385	12,635	12,635	12,635	4,895	10,865	10,865	10,865	4,110	
	6x8	1-ply SCL	UHD558	HGUS5.50/8	-	5-1/22	6-15/16	4	36	16d	12	16d	9,375	9,665	9,855	3,550	8,180	8,440	8,610	3,330	6,850	7,505	7,660	2,905	
	6x10	1-ply SCL	UHD5510	HGUS5.50/10	-	5-1/2	8-15/16	4	46	16d	16	16d	12,100	12,100	12,100	4,500	10,505	10,505	10,505	4,180	8,590	9,275	9,275	3,640	
	6x10G	1-ply Glulam	UHD5210	HGUS5.25/10	-	5-1/4	9-1/16	4	46	16d	16	16d	13,000	13,000	13,000	5,090	11,570	11,570	11,570	4,655	9,730	10,070	10,070	3,955	
6x12	1-ply SCL	UHD5512	HGUS5.50/12	-	5-1/2	10-3/8	4	56	16d	20	16d	13,000	13,000	13,000	5,090	11,570	11,570	11,570	4,655	9,730	10,070	10,070	3,955		
6x12G	1-ply Glulam	UHD5212	HGUS5.25/12	THDH612	5-1/4	10-1/2	4	56	16d	20	16d	13,895	13,895	13,895	5,385	12,635	12,635	12,635	4,895	10,865	10,865	10,865	4,110		
6x14	1-ply SCL	UHD5514	HGUS5.50/14	THDH614	5-1/2	12-1/2	4	66	16d	22	16d	13,895	13,895	13,895	5,385	12,635	12,635	12,635	4,895	10,865	10,865	10,865	4,110		
7x10	1-ply Glulam	UHD6810	HGUS6.88/10	THDH6710	6-7/8	8-13/16	4	46	16d	16	16d	12,100	12,100	12,100	4,500	10,505	10,505	10,505	4,180	8,590	9,275	9,275	3,640		
7x12	1-ply Glulam	UHD6812	HGUS6.88/12	THDH6712	6-7/8	10-13/16	4	56	16d	20	16d	13,000	13,000	13,000	5,090	11,570	11,750	11,750	4,655	9,730	10,070	10,070	3,955		
7x14	1-ply Glulam	UHD6814	HGUS6.88/14	THDH6714	6-7/8	12-13/16	4	66	16d	22	16d	13,895	13,895	13,895	5,385	12,635	12,635	12,635	4,895	10,865	10,865	10,865	4,110		
8x10	1-ply SCL/ Glulam	UHD7210	HGUS7.25/10	THDH7210	7-1/4	8-5/8	4	46	16d	16	16d	12,100	12,100	12,100	4,500	10,505	10,505	10,505	4,180	8,590	9,275	9,275	3,640		
8x12	1-ply SCL/ Glulam	UHD7212	HGUS7.25/12	THDH7212	7-1/4	10-5/8	4	56	16d	20	16d	13,000	13,000	13,000	5,090	11,570	11,570	11,570	4,655	9,730	10,070	10,070	3,955		
8x14	1-ply SCL/ Glulam	UHD7214	HGUS7.25/14	THDH7214	7-1/4	12-7/16	4	66	16d	22	16d	13,895	13,895	13,895	5,385	12,635	12,635	12,635	4,895	10,865	10,865	10,865	4,110		

### NOTES:

- Nails designated as 16d shall be 16d common nails (0.162" x 3.5", F<sub>y</sub> = 90,000 psi) and 10d shall be 10d common nails (0.148" x 3", F<sub>y</sub> = 90,000 psi).
- Allowable loads are provided for load duration factor (C<sub>D</sub>) of 1.0, 1.15, 1.25 and 1.6.
- Allowable loads labeled "Floor" and "Roof" represent gravity loads.
- These Reference Numbers above are for the purpose of enabling our customers to identify the QuickTie™ alternative to specified product names, but the attributes of the products references (particularly load values) may differ from the QuickTie™ part. Please note that product comparison via Reference Numbers is for general application comparison only. Reference Numbers should not be used as an apples-to-apples substitution tool. Customers are solely responsible for comparing specific load values, fastener schedules, anchoring requirements, material specifications, and other factors when determining the suitability of use of any particular product. QuickTie™ makes no claim, stated or implied, of suitability for purpose or qualification for usage of our products that may be substituted for a specified product. Any specification, submittal, or change to a specified product should be approved in writing by the designer or Engineer of Record (EOR). MiTek® and Simpson Strong-Tie® are registered trademarks of their respective companies, with which QuickTie™ is unaffiliated, and neither of whom endorse or approve use of their product names in this catalog as "reference numbers".

# Truss Connectors

## TENSION-COMPRESSION DRAG STRUT CONNECTORS (TCC)

### PRODUCT FEATURES:

The Tension-Compression Drag Strut connector (TCC) is a load-transferring component that connects the girder/beam/truss to the shear walls. It acts as a link between the horizontal members and the vertical shear walls.

### MATERIAL:

TCC16L/R – 7 ga  
TCC21L/R – 3 ga



### COATING:

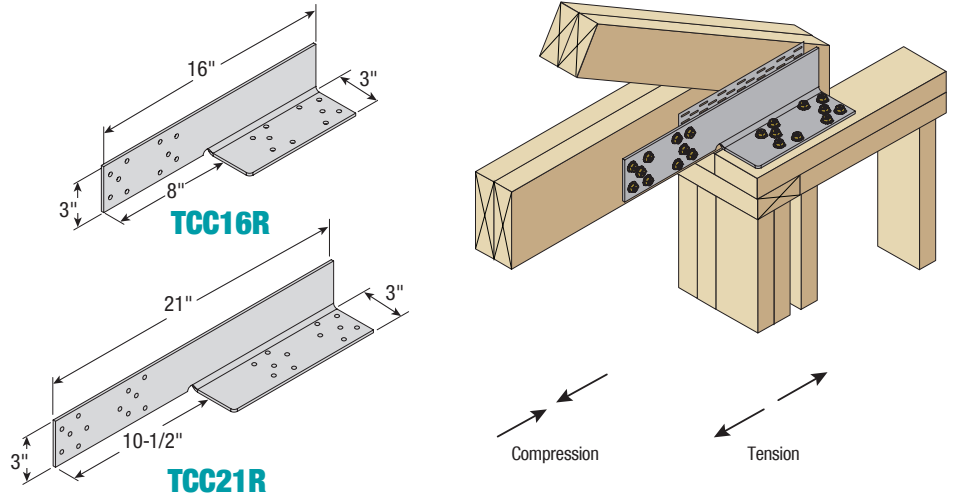
Spray Painted Primer (gray)

### INSTALLATION:

- Use all specified fasteners in schedule to achieve values indicated.

### CODE COMPLIANCE:

TER 0910-01, FL 3557



## ALLOWABLE LOADS FOR TCC (LB)<sup>1,2</sup>

Part No.	Length, L (in.)	Fastener Type	Qty	SP (0.55)		DF-L (0.50)		SPF/ HF (0.42)	
				Compression	Tension	Compression	Tension	Compression	Tension
TCC16L TCC16R	16	SWH3	20	2,600	3,890	2,410	3,605	2,095	3,130
TCC21L TCC21R	21	SWH3	24	4,370	5,780	4,370	5,500	3,920	4,720

### NOTES:

- Allowable loads are provided for load duration factor ( $C_D$ ) of 1.6. No further increase is permitted.
- The structural wood screw, SWH3, is 1/4" x 3".

## TRUSS CLIPS (TR)

### PRODUCT FEATURES:

The Truss Clips (TR1, TR2 & TR3) are specifically designed with vertical slots to secure and maintain the accurate alignment between a roof truss and non-load bearing walls.

### MATERIAL:

TR1, TR2 & TR3\* – 18 gauge



### COATING:

Galvanized (G185)

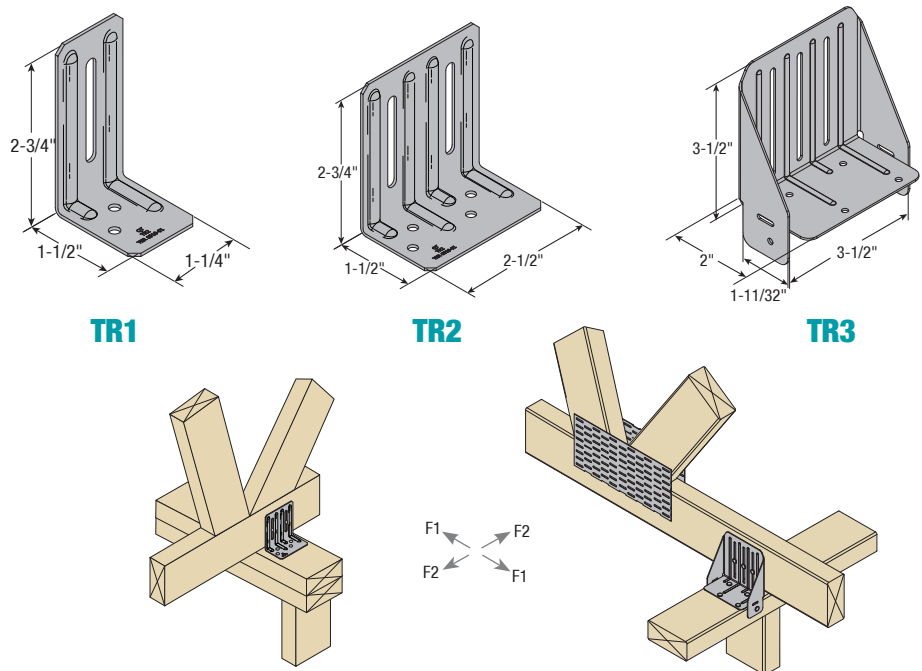


### INSTALLATION:

- Use all specified fasteners in schedule to achieve values indicated.
- Nails should be installed in the middle of the slot and not be driven flush with the clips.

### CODE COMPLIANCE:

TER 0910-01, FL 3557



## ALLOWABLE LOADS FOR TR (LB)<sup>1,2</sup>

Part No.	Width, W (in.)	Height, H (in.)	Depth, D (in.)	Fasteners				SOUTHERN PINE (SP) - $C_D = 1.6$							
				Top Plate		Truss/ Rafter (Slots)		No Gap <sup>3</sup>		Gap <sup>3</sup> ≤ 1/4"		1/4" < Gap <sup>3</sup> ≤ 1/2"		Gap <sup>3</sup> = 1-1/4"	
				Qty	Size	Qty	Size	F1	F2	F1	F2	F1	F2	F1	F2
TR1	1-1/4	2-3/4	1-7/8	2	8d (0.131" x 1-1/2")	1	8d (0.131" x 1-1/2")	85	55	65	50	45	40	-	-
TR2	2-1/2	2-3/4	1-7/8	4	8d (0.131" x 1-1/2")	2	8d (0.131" x 1-1/2")	155	195	115	195	80	185	-	-
TR3*	3-1/2	4-3/8	2	4	8d (0.148" x 3")	3	8d (0.148" x 3")	520	305	-	-	-	-	200	305

### NOTES:

- Allowable loads are provided for load duration factor ( $C_D$ ) of 1.6. No further increase is permitted.
- For no gap option, truss or rafter should bear on top plate to achieve the load values indicated.
- To achieve F1 loads, roof truss clips must be present on both sides of the truss.

\*Call QT for code approval information.

## POST-INSTALL GIRDER TIE DOWNS (PHGT & PHHG)

### PRODUCT FEATURES:

The PHGT series connectors, also known as Post-Install Girder Tie Downs, offer an effective solution for securing multi-ply girder trusses and facilitating the transfer of lateral wind loads to supporting wood and masonry walls.

### MATERIAL:

PHGT2 – 14 ga  
PHHG3 & PHHG4 – 12 ga

### COATING:

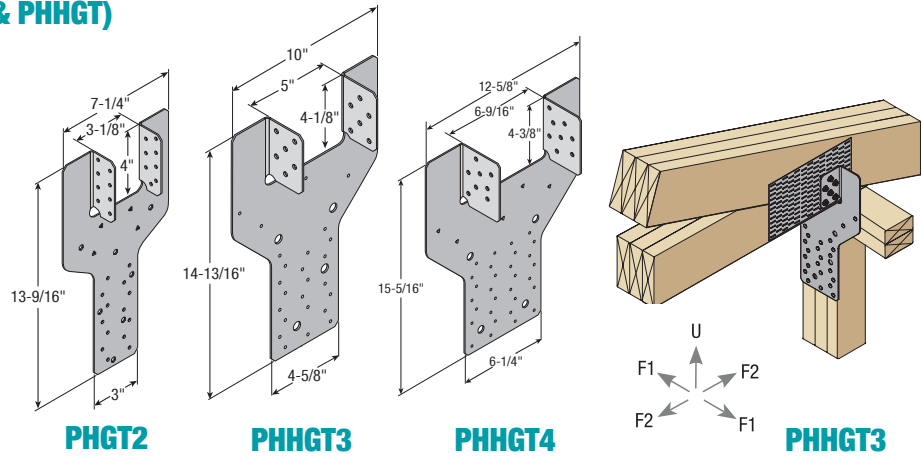
Galvanized (G185)

### INSTALLATION:

- Use all specified fasteners in schedule to achieve values indicated.

### CODE COMPLIANCE:

TER 0910-01; FL 3557



## ALLOWABLE LOADS FOR PHGT (LB)<sup>1, 2, 3</sup>

Part No.	Steel	No. of Piles (Beam/Truss)	Fasteners				SOUTHERN PINE (SP)			DOUGLAS FIR-LARCH (DF-L)			SPRUCE-PINE-FIR (S-P-F)		
			Rafter/Truss		Stud/Top Plate		Uplift (U)	Lateral (F1, Parallel)	Lateral (F2, Perp.)	Uplift (U)	Lateral (F1, Parallel)	Lateral (F2, Perp.)	Uplift (U)	Lateral (F1, Parallel)	Lateral (F2, Perp.)
			Qty	Size	Qty	Size									
PHGT2	14 ga	2	16	10d Common	18	10d common	2,435	980	255	2,435	900	255	2,240	745	210
PHHG3	12 ga	3	12	SWH3	26	10d common	3,355	1,230	410	3,130	1,230	360	2,710	1,060	280
PHHG4	12 ga	4	16	SWH3	37	10d common	4,185	2,230	590	3,625	1,825	510	4,185	2,230	510

### NOTES:

- Allowable loads are provided for load duration factor ( $C_D$ ) of 1.6. No further increase is permitted.
- Loading in the F1 direction indicates shear forces parallel to the plane of the wall.
- Loading in the F2 direction indicates shear forces perpendicular to the plane of the wall.

## SLOPE SKEW HANGER (ULPSSH)

### PRODUCT FEATURES:

The ULPSSH is a field-adjustable hanger engineered to support trusses or rafters with varying skew and slope configurations when connecting to beams or other structural members.

### MATERIAL:

ULPSSH – 18 ga

### COATING:

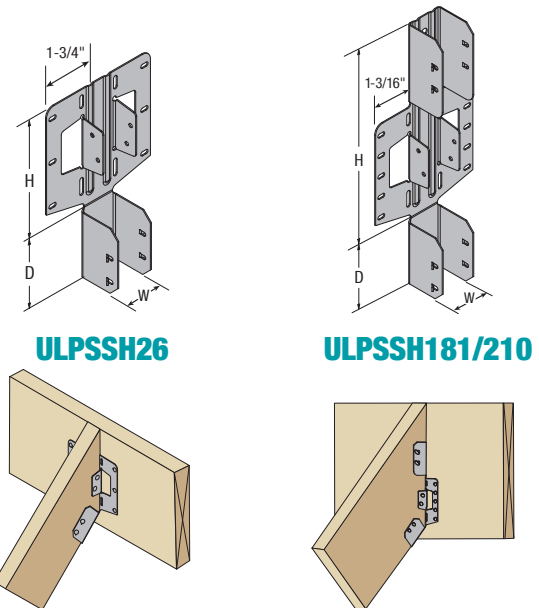
Galvanized (G185)

### INSTALLATION:

- Use all specified fasteners in schedule to achieve values indicated.

### CODE COMPLIANCE:

TER 1811-03; FL 3557.



## ALLOWABLE LOADS FOR ULPSSH SERIES

Part No.	Joist Size (in.)	Hanger Dimensions (in.)			Fasteners				SP/DF-L (G = 0.50)				HF/SPF (G = 0.42)			
		Width W (in.)	Height H (in.)	Depth D (in.)	Header		Joist		Floor 1.0	Roof 1.15	Roof 1.25	Uplift 1.6	Floor 1.0	Roof 1.15	Roof 1.25	Uplift 1.6
					Qty	Size	Qty	Size								
<b>Sloped Only Hangers</b>																
ULPSSH26	2 x 6	1-9/16	5-7/16	3	6	10d	9	10d x 1-1/2	680	780	850	855	585	675	730	740
ULPSSH181	1-3/4 x 10	1-13/16	8-3/16	3	10	10d	13	10d x 1-1/2	1,185	1,365	1,480	1,270	1,020	1,175	1,280	1,095
ULPSSH210	2 x 10	1-9/16	8-3/16	3	10	10d	13	10d x 1-1/2	1,185	1,365	1,480	1,270	1,020	1,175	1,280	1,095
<b>Sloped and Skewed Hangers</b>																
ULPSSH26	2 x 6	1-9/16	5-7/16	3	6	10d	9	10d x 1-1/2	690	690	690	530	595	595	595	455
ULPSSH181	1-3/4 x 10	1-13/16	8-3/16	3	10	10d	13	10d x 1-1/2	635	635	635	625	545	545	545	540
ULPSSH210	2 x 10	1-9/16	8-3/16	3	10	10d	13	10d x 1-1/2	635	635	635	625	545	545	545	540

### NOTES:

- Uplift loads have been increased for wind load duration ( $C_D$ ) = 1.6. No further increase permitted.
- Nails designated as 10d shall be 10d common nails (0.148" x 3",  $F_{yb}$  = 90,000 psi) and 10d x 1-1/2 shall be 0.148" x 1.5" ( $F_{yb}$  = 90,000 psi).

# Truss Connectors

## CORNER HIP PLATES (CHP)

### PRODUCT FEATURES:

Corner Hip Plates (CHP) are used to secure trusses or rafters to double top plates, effectively resisting uplift forces.

### MATERIAL:

CHP1.81, CHP2 & CHP4 - 18 ga



### COATING:

Galvanized (G185)

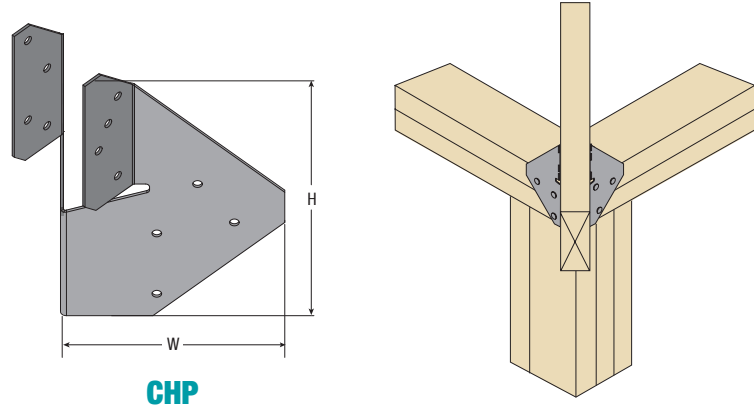


### INSTALLATION:

- Use all specified fasteners in schedule to achieve the values indicated.

### CODE COMPLIANCE:

Call QT for code approval information.



## ALLOWABLE LOADS FOR CHP (LB)

Part No.	H	W	Fasteners				SP/D-F-L		HF/S-P-F	
			Trusses/Rafters		Top Plate		Uplift	F1	Uplift	F1
			Type	Qty	Type	Qty				
CHP1.81	6	3-9/16	10d x 1-1/2	6	10d x 1-1/2	6	825	410	710	355
CHP2										
CHP4	6-5/8	4-7/8	10d common	8	10d common	8	1,100	410	950	355

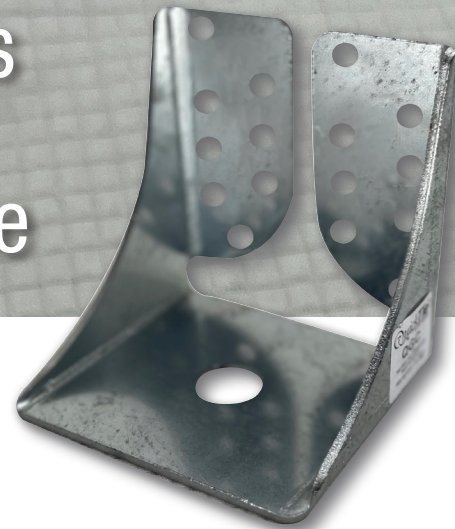
### NOTES:

1. Allowable loads are provided for load duration factor ( $C_D$ ) of 1.6. No further increase is permitted.

# Innovative Girder Connectors Revolutionize Truss Uplift Load Solutions in Less Space

### KEY ADVANTAGES OF QGC:

- Resists uplift in multi-ply girder trusses
- Compatible with all QT cables and threaded rods
- Perfect for heavy loads
- Used with girder trusses or rafter beams
- Fewer connections
- Easier to install and saves money



# STRONGER IN THE STORM.

# EASIER ON THE JOBSITE.

Quick Tie Products, Inc. produces a patented hold down system for wood frame and masonry construction which resists high wind and seismic forces. The system is easy to install, reducing parts needed and therefore saving time and money.



**8 PATENTED PRODUCTS**  
Quicktieproducts.com

## EMBEDDED TRUSS ANCHOR STRAPS (METAS/HETAS)

### PRODUCT FEATURES:

QuickTie™ Embedded Truss Anchor Straps (METAS/HETAS) are used for roof truss to concrete or CMU wall attachments.

### MATERIAL:

METAS Series - 18 Gauge  
HETAS Series - 16 Gauge

### COATING:

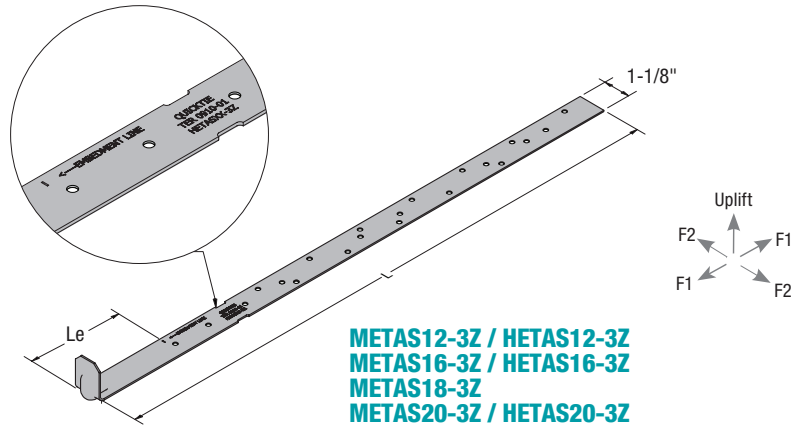
Galvanized (G185)

### INSTALLATION:

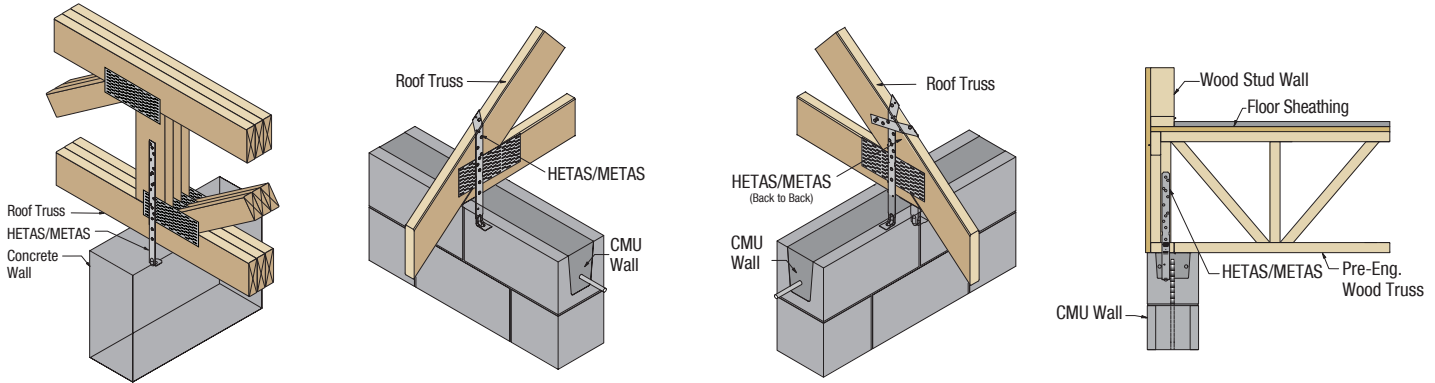
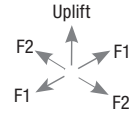
- Use all specified fasteners in schedule to achieve the values indicated.
- METAS/HETAS Series requires a minimum of 4" embedment into the concrete and CMU walls.

### CODE COMPLIANCE:

TER 0910-01; FL 3557



**METAS12-3Z / HETAS12-3Z**  
**METAS16-3Z / HETAS16-3Z**  
**METAS18-3Z**  
**METAS20-3Z / HETAS20-3Z**  
**METAS24-3Z / HETAS24-3Z**  
**METAS40-3Z / HETAS40-3Z**



## ALLOWABLE LOADS FOR EMBEDDED TRUSS ANCHOR STRAPS (LB)<sup>1,2,3,4,5</sup>

Part No.	Length, L (in.)	Embed Length, L <sub>e</sub> (in.)		Fasteners		Allowable Loads (LB) - Southern Pine (SG = 0.55, C <sub>p</sub> = 1.6)																				
		Concrete	CMU	Qty	Nail Type	Single Anchor						Double Anchor														
						CMU			Concrete			CMU			Concrete											
						Uplift	F1	F2	Uplift	F1	F2	Uplift	F1	F2	Uplift	F1	F2									
METAS12-3Z	12	4	4	7	10dx1-1/2 (0.148 x 1.5")	1,445	340	760	1,445	340	760	2,890	1,335	1,140	2,890	1,335	1,140									
METAS16-3Z	16	4	4	9		1,600	440	760	1,600	440	760	3,195	1,375	1,140	3,195	1,375	1,140									
METAS18-3Z	18					4	4	9	1,475	340	760	1,475	340	760	2,950	1,335	1,140	2,950	1,335	1,375						
METAS20-3Z	20								4	4	9	1,895	440	760	1,895	440	760	3,325	1,375	1,140	3,175	1,405	1,375			
METAS24-3Z	24											4	4	9	1,895	440	760	1,895	440	760	3,325	1,375	1,140	3,175	1,405	1,375
METAS40-3Z	40														1,895	440	760	1,895	440	760	3,325	1,375	1,140	3,175	1,405	1,375

### NOTES:

1. Allowable loads are provided for load duration factor (C<sub>p</sub>) of 1.6. No further increase is permitted.
2. Minimum specified compressive strength of grout is 2,000 psi and minimum edge distance for CMU installation is 2 in.
3. Minimum specified compressive strength of concrete is 2,500 psi and minimum edge distance for concrete installation is 1.5".
4. Loading in F1 direction indicates shear forces parallel to the plane of the concrete/CMU wall.
5. Loading in F2 direction indicates shear forces perpendicular to the plane of the concrete/CMU wall.

# Hurricane Anchors and Twist Straps

## HA4, HA6, HA8, HA10, QGC, MTS & HTS

### PRODUCT FEATURES:

Hurricane Anchors/Clips (HA4, HA6, HA8 & HA10) add increased resistance to wind uplift. HA's reduces toe-nailing, utilizing correctly located nail holes for fast, easy and strong attachment of rafters and trusses to plates and studs.

The QuickTie™ Girder Connectors (QGC & QGCW) are used for girder truss connections where uplift load requirements are high.

The Medium Twist Straps (MTS) and Heavy Twist Straps (HTS) are used to resist wind uplift and manufactured in lengths of 16", 20", 24" and 28". The straps have an offset shape to allow for twisting and bending. Each strap is 1-1/4" wide with nail holes (staggered across the width) punched at 1" along its length.

### MATERIAL:

HA4, HA6, HA8 & HA10 - 18 Gauge

QGC - 12 Gauge

MTS - 16 Gauge

HTS - 14 Gauge

### COATING:

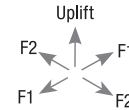
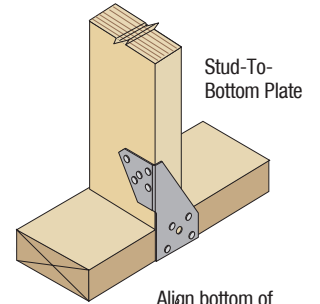
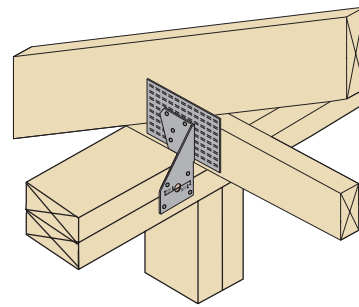
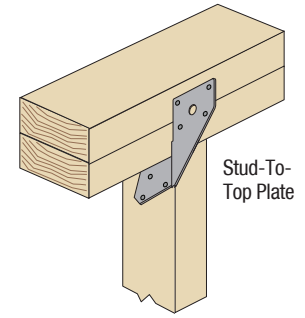
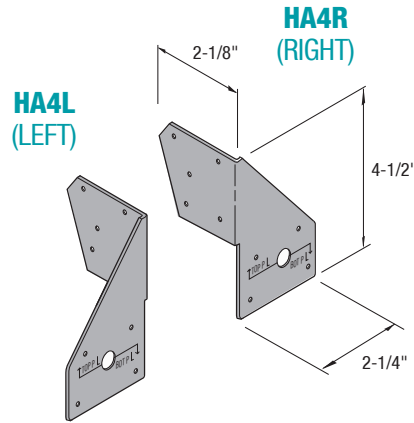
Galvanized (G185)

### INSTALLATION:

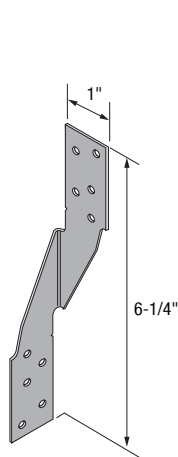
- Use all specified fasteners in schedule to achieve the tabulated values.

### CODE COMPLIANCE:

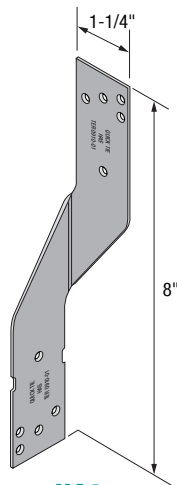
TER 0910-01; FL 3557



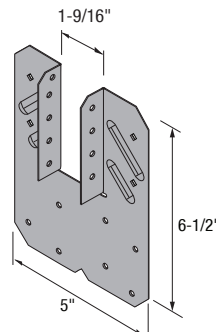
Align bottom of connector to bottom of wood plate.



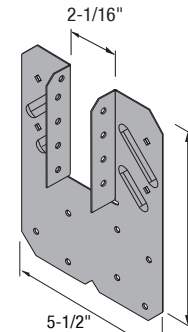
HA6



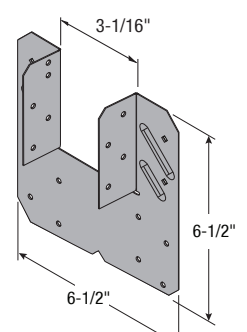
HA8



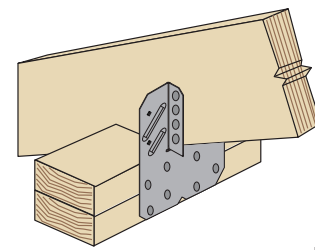
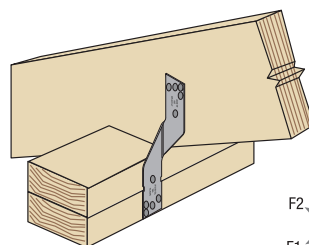
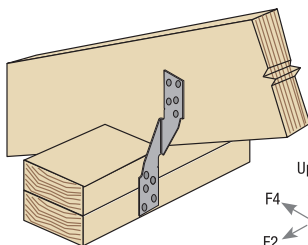
HA10

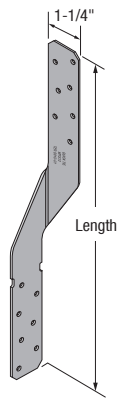


HA10R

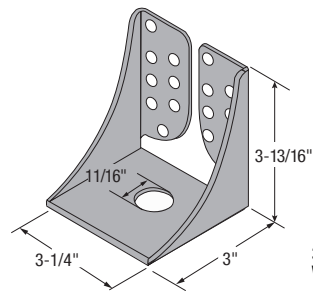


HA10-2

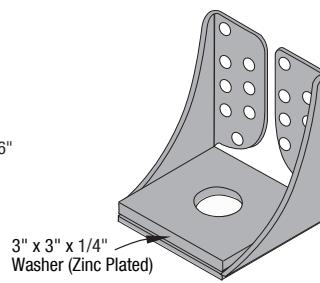




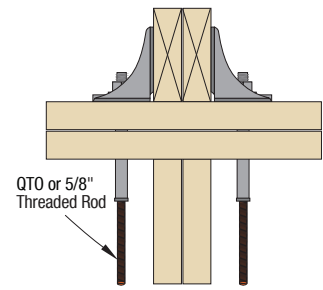
**MTS & HTS**



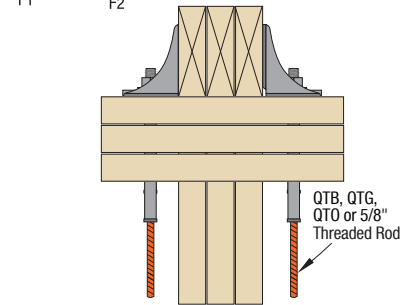
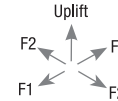
**QGC for QT Cables**  
(Part includes structural wood screws)



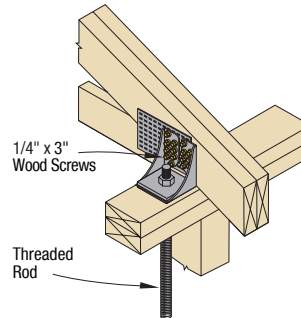
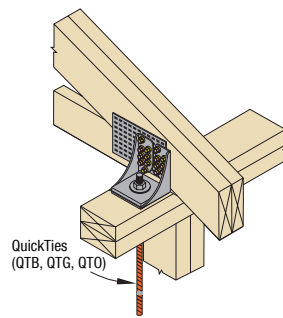
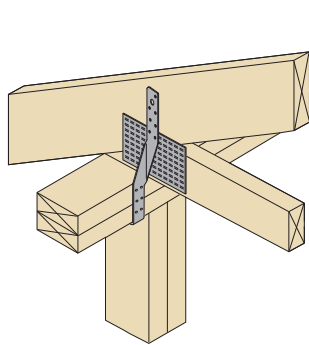
**QGCW for Threaded Rods**  
(Part includes washer and structural wood screws)



QGC (back-to-back)  
for 2-ply truss/rafter



QGC (back-to-back)  
for 3-ply truss/rafter



**ALLOWABLE LOADS FOR HA4, HA6, HA8, HA10 & QGC<sup>1,2</sup> AND MTS & HTS (LB)<sup>3,4,5</sup>**

Products	Type	Fasteners		Southern Pine (SG = 0.55)				Douglas Fir-Larch (SG = 0.50)				Spruce-Pine-Fir (SG = 0.42)				
		Rafter/Truss	Plates	Uplift		F1	F2	Uplift		F1	F2	Uplift		F1	F2	
		1.0	1.6	1.6	1.6	1.0	1.6	1.6	1.6	1.0	1.6	1.6	1.6			
HA	HA4	8d x 1-1/2 (0.131 x 1.5")	5	4	-	662	180	120	-	599	158	120	-	514	135	106
		10d x 1-1/2 (0.148 x 1.5")			-	-	-	-	-	-	-	-	-	-	-	
	HA6	8d x 1-1/2 (0.131 x 1.5")	5	5	535	705	145	140	495	655	125	125	425	575	80	100
		10d x 1-1/2 (0.148 x 1.5")	5	5	-	600	61	61	-	600	61	61	-	485	61	61
HA8	8d x 1-1/2 (0.131 x 1.5")	5	5	-	815	94	94	-	705	69	69	-	540	69	69	
	10d x 1-1/2 (0.148 x 1.5")	5	5	-	-	-	-	-	-	-	-	-	-	-	-	
HA10 HA10R HA10-2	10d x 1-1/2 (0.148 x 1.5")	9	8	1,005	1,140	560	335	930	1,055	515	310	800	910	335	220	
	10d Common (0.148 x 3")			1,005	1,350	560	330	930	1,245	515	280	800	1,075	335	230	
MTS	MTS12-3Z MTS16-3Z MTS20-3Z MTS24-3Z	10d x 1-1/2 (0.148 x 1.5")	14 <sup>6</sup>	7 <sup>7</sup>	895	1,085	-	-	825	1,000	-	-	715	865	-	-
		10d Common (0.148 x 3")			-	-	-	-	-	-	-	-	-	-	-	
		10d x 1-1/2 (0.148 x 1.5")			-	-	-	-	-	-	-	-	-	-	-	-
		10d Common (0.148 x 3")			-	-	-	-	-	-	-	-	-	-	-	-
HTS	HTS16-3Z HTS20-3Z HTS24-3Z HTS28-3Z	10d x 1-1/2 (0.148 x 1.5")	22 <sup>6</sup>	11 <sup>7</sup>	1,445	1,665	-	-	1,340	1,540	-	-	1,160	1,330	-	-
		10d x 1-1/2 (0.148 x 1.5")			-	-	-	-	-	-	-	-	-	-	-	
		10d x 1-1/2 (0.148 x 1.5")			-	-	-	-	-	-	-	-	-	-	-	-
		10d Common (0.148 x 3")			-	-	-	-	-	-	-	-	-	-	-	-
GC	QGC	1/4" Wood Screw (included)	16	(1) QTB	1,910	1,910	-	-	1,910	1,910	-	-	1,910	1,910	-	-
				(1) QTG	3,180	3,180	-	-	3,180	3,180	-	-	3,180	3,180	-	-
				(1) QTO	4,350	4,455	2,040	935	4,015	4,455	1,910	885	3,465	4,390	1,570	765
	QGCW	1/4" Wood Screw (included)	16	(1) 5/8" Threaded Rod	4,350	5,445	1,235	770	4,015	5,085	1,185	705	3,465	4,455	1,090	550
QGC/QGCW	1/4" Wood Screw (included)	32	(2) QTO or (2) 5/8" Threaded Rods	8,715	8,715	-	-	8,450	8,450	-	-	7,295	7,295	-	-	

**NOTES:**

- Hurricane Anchors/Clips may be installed on both sides of the framing member for twice the load. QGC/QGCW may be installed on both sides (back-to-back) of the 3-ply rafter/truss for twice the load.
- The tabulated loads are valid for clips installed on the inside or the outside of the wall. However, to maintain a continuous load path for uplift, connections in close proximity to one another, such as truss-to-plate and plate-to-stud, clips should be installed on the same side of the wall.
- Straps do not have to be wrapped over the truss or rafter to achieve the loads shown.
- Straps may be installed on either side of the framing member.
- The number of fasteners shown in the table is the minimum required to achieve the loads shown.
- Minimum nails required per strap.
- Minimum nails at each end of the strap.

# Hurricane Gusset Angles

## HGA & HGAM

### PRODUCT FEATURES:

Hurricane Gusset Angles (HGA/HGAM) are 90-degree framing angles used to connect truss/rafter joists to the top plate of wood framing walls or to the top of concrete filled CMU walls. The HGAKT and HGAMKT includes HGA framing angle and wood screws for wood framing applications and HGA framing angle, wood screws and concrete screws for concrete/CMU applications, respectively.

### MATERIAL:

HGA - 14 Gauge

### COATING:

Galvanized (G185)



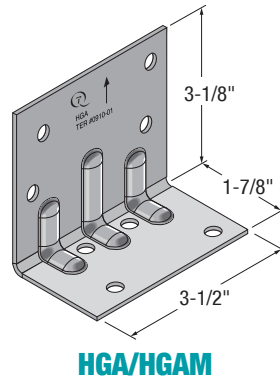
### INSTALLATION:

- Use all specified fasteners in schedule to achieve values indicated.

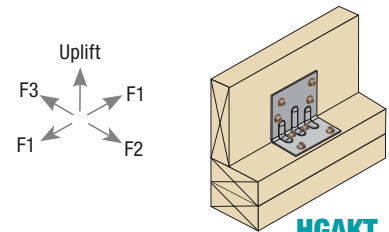
### CODE COMPLIANCE:

TER 0910-01; FL 3557

Part No.	Description	Carton Qty
HGAKT	HGA, 1/4" x 1-1/2" Wood Screws & 1/4 x 3" Wood Screws	10
HGAMKT	HGA, 1/4" x 1-1/2" Wood Screws & 1/4 x 2-1/4" Concrete Screws	10

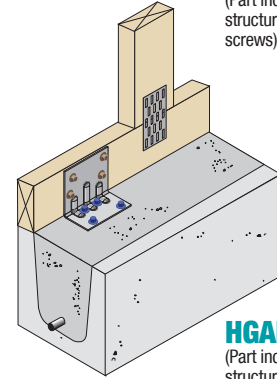


**HGA/HGAM**



**HGAKT**

(Part includes structural wood screws)



**HGAMKT**

(Part includes structural wood screws and concrete screws)

## ALLOWABLE LOADS FOR HGA & HGAM (LB)

	Fasteners <sup>4,5,6</sup>				Allowable Loads (lb) <sup>1,2,3</sup>							
	To Rafter/Truss		To Top Plate or Concrete		Douglas Fir-Larch (0.50)				Spruce-Pine-Fir (0.42)			
	Type	Quantity	Type	Quantity	Uplift 1	F1 1.6	F2 1.6	F3 1.6	Uplift 1	F1 1.6	F2 1.6	F3 1.6
HGA	SWH15 Wood Screw (1/4" x 1-1/2")	4	SWH3 Wood Screw (1/4" x 3")	4	1,085	1,085	895	1,150	740	695	420	825
HGAM	SWH15 Wood Screw (1/4" x 1-1/2")	4	Concrete Screw (1/4" x 2-1/4")	4	815	1,005	955	1,005	815	805	505	825

### NOTES:

1. Loading in the F1 direction indicates shear forces parallel to the plane of the wall.
2. Loading in the F2 direction indicates shear forces perpendicular to the plane of the wall, acting towards the gusset angle.
3. Loading in the F3 direction indicates shear forces perpendicular to the plane of the wall, acting away from the gusset angle.
4. Minimum fastener penetration must be equal to the screw length less the thickness of the metal side plate.
5. Refer to page 61 for structural wood screw SWH15 (1/4" x 1-1/2") and SWH3 (1/4" x 3") details.
6. Concrete Screw: Minimum Allowable Tension (T) and Shear (S) Capacities When Installed in Concrete, T = 204 lb and S = 219 lb, Min. Edge Distance = 2", Min. Spacing = 1", Min End Distance = 2.65", Min. Embedment = 1 1/2", Min. Concrete Compression Strength, f<sub>c</sub> = 2,500 psi, Load combination 1.2D+1.6L with D = 0.3, L = 0.7 and α = 1.48.

## TOP MOUNT HEAVY BEAM HANGERS (TFHBH)

### PRODUCT FEATURES:

Top Flange Header Beam Hangers (TFHBH) are heavy header-to-beam connectors used for supporting and transferring high loads from the LVL, LSL and PSL beams to the header.

### MATERIAL:

TFHBH35X - 7 ga

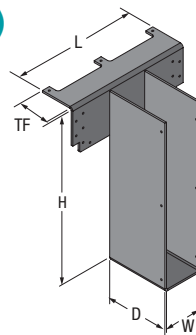
TFHBH55X - 7 ga (Saddle) & 3 ga (Top Flange)

### COATING:

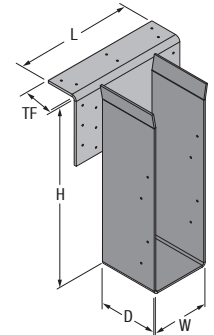
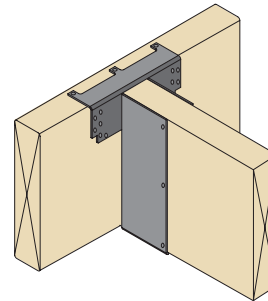
Spray Painted Primer (gray)

### CODE COMPLIANCE:

Call QT for code approval information.



**TFHBH35X**



**TFHBH55X**

## ALLOWABLE LOADS FOR TOP MOUNT HEAVY BEAM HANGERS (LB)\*

Part No.	Hanger Dimensions (in.)					Fastener Quantity					Allowable loads (lb)*	
	Height, H	Width, W	Depth, D	Length, L	Top Flange TF	Header			Joist		SP (0.55) / DF-L (0.50)	
						Top	Face	Type	Qty	Type	Gravity (C <sub>0</sub> = 1.0)	Uplift (C <sub>0</sub> = 1.6)
TFHBH3512	12	3-5/8	6	12	3-1/8	3	12	16d	6	16d	10,545	1,490
TFHBH3514	14											
TFHBH3516	16											
TFHBH3518	18											
TFHBH3520	20											
TFHBH3595	9-1/2	5-9/16	6	12	3-1/8	6	12	16d	8	16d	10,545	1,490
TFHBH5514	14											
TFHBH5516	16											
TFHBH5518	18											

\*For other sizes, contact QT. Allowable loads per NDS nail calculations, call QT for code approval information.

# Truss Connectors



## JACK TRUSS CONNECTOR (JTC)

**PRODUCT FEATURES:**

JTCs, or Jack Truss Connectors, are designed to be easily skewable, allowing them to be field-bent to various angles for a wide range of applications.

**MATERIAL:**

JTC - 16 ga



**COATING:**

Galvanized (G185)

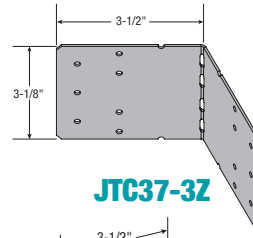


**INSTALLATION:**

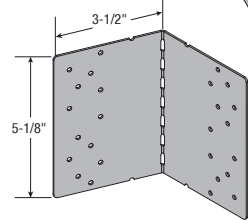
- Use all specified fasteners in schedule to achieve load values indicated.

**CODE COMPLIANCE:**

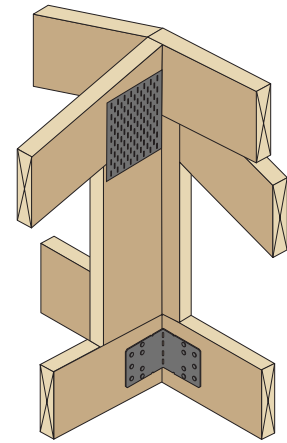
Call QT for code approval information



JTC37-3Z



JTC57-3Z



## ALLOWABLE LOADS FOR JTC (LB)<sup>1,2</sup>

Part No.	W (in.)	H (in.)	Fastener Type	Fastener Qty		Allowable Loads (lb)					
				Header	Joist	SP/DF-L (SG = 0.50)			HF/SPF (SG = 0.42)		
						0°	1° - 60°	60° - 68°	0°	1° - 60°	60° - 68°
JTC37-3Z	7	3-1/8	8d x 1-1/2	7	7	515	430	375	440	365	325
JTC57-3Z	7	5-1/8	8d x 1-1/2	13	13	865	815	785	745	700	675

**NOTES:**

1. Allowable loads are applicable for both gravity and uplift forces
2. For back-to-back installation, the tabulated values are multiplied by a factor of 0.70.

## SHEAR CLIPS

**PRODUCT FEATURES:**

Shear Clips (SC34 & SC35) and Flat Shear Clips (SC35F) are multi-purpose framing angles and flat connectors for connecting studs, plates, headers, joists, etc.

**MATERIAL:**

SC34, SC35 & SC35F - 18 Gauge

**COATING:**

Galvanized (G185)



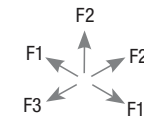
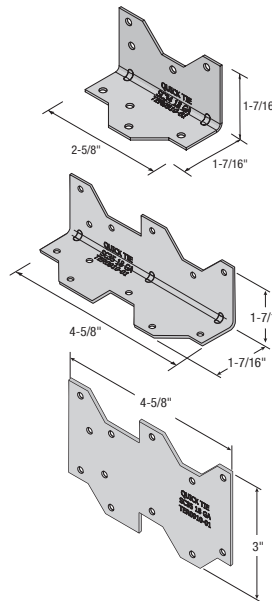
**INSTALLATION:**

- Use all specified fasteners in schedule to achieve values indicated.

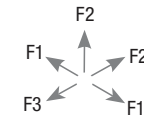
**CODE COMPLIANCE:**

TER 0910-01; FL 3557

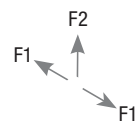
Part No.	Carton Qty
SC34	100
SC35	100
SC35F	200



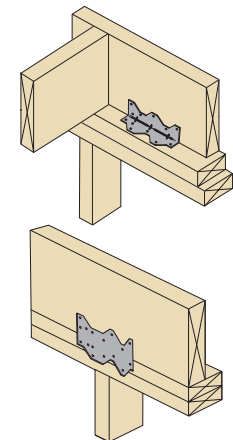
SC34



SC35



SC35F



## ALLOWABLE LOADS FOR SC34, SC35 & SC35F<sup>1,2,3</sup>

	Species	Fasteners		Allowable Loads (lb)					
		Size	Total	F1		F2		F3	
				1.00	1.60	1.00	1.60	1.00	1.60
SC34	Southern Pine	8d x 1-1/2"	8	425	685	425	685	215	325
	Douglas Fir-Larch	8d x 1-1/2"	8	395	630	395	630	170	255
	Spruce-Pine-Fir	8d x 1-1/2"	8	340	545	340	540	110	175
SC35	Southern Pine	10d x 1-1/2"	12	755	840	295	295	755	1,075
		10d x 3"	12	770	940	260	260	770	1,015
	Douglas Fir-Larch	10d x 1-1/2"	12	695	765	265	265	695	975
		10d x 3"	12	710	840	235	235	710	905
	Spruce-Pine-Fir	10d x 1-1/2"	12	595	650	200	230	595	830
		10d x 3"	12	605	720	200	200	605	775
SC35F	Southern Pine	10d x 1-1/2"	12	755	775	500	500	-	-
		10d x 3"	12	735	735	550	550	-	-
	Douglas Fir-Larch	10d x 1-1/2"	12	655	655	430	430	-	-
		10d x 3"	12	615	615	470	470	-	-
	Spruce-Pine-Fir	10d x 1-1/2"	12	560	560	370	370	-	-
		10d x 3"	12	525	525	400	400	-	-

**NOTES:**

1. The tabulated loads are per framing angle and flat connector.
2. Connectors are required on both sides of the joist/stud to achieve the F3 loads in both directions.
3. When installed directly across from each other on both sides of the joist/stud, the thickness of the joist/stud should be twice the length of the fastener.

# Wood Screws

## STRUCTURAL WOOD SCREWS

### PRODUCT FEATURES:

The QuickTie™ Structural Wood Screws are self-drilling screws used for interior and exterior wood framing applications. These are 1/4" diameter screws, available in four different head configurations [Hex Head (SWH), Flat Head (SWF), Fillister Head (SWL) and Truss/Stud (SWT)] and various lengths.

SWH#9 and SWH#10 are wood screws designed to replace nails used in QT connectors and hangers, providing improved allowable gravity and uplift load values. The SWH#9 replaces 10d nails, and the SWH#10 replaces 16d nails.

Woods screws are installed without lead holes, as prescribed in NDS.

### MATERIALS:

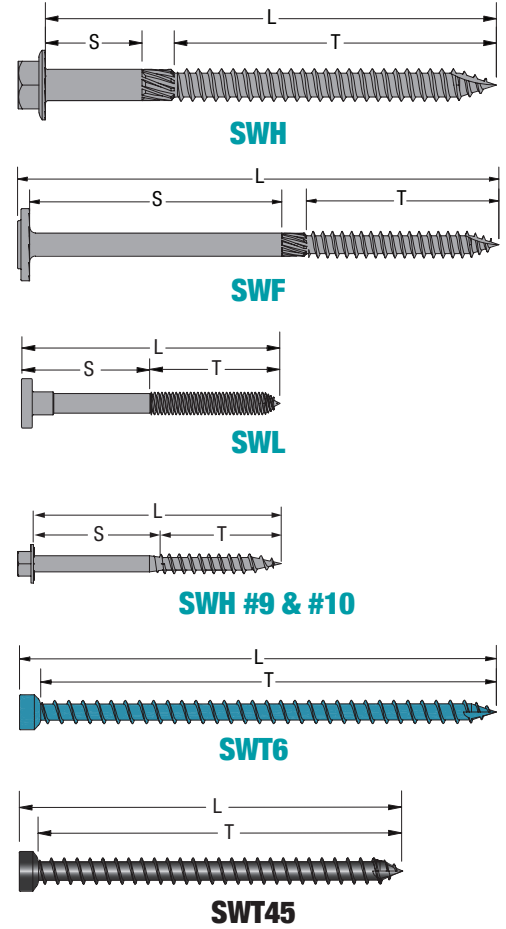
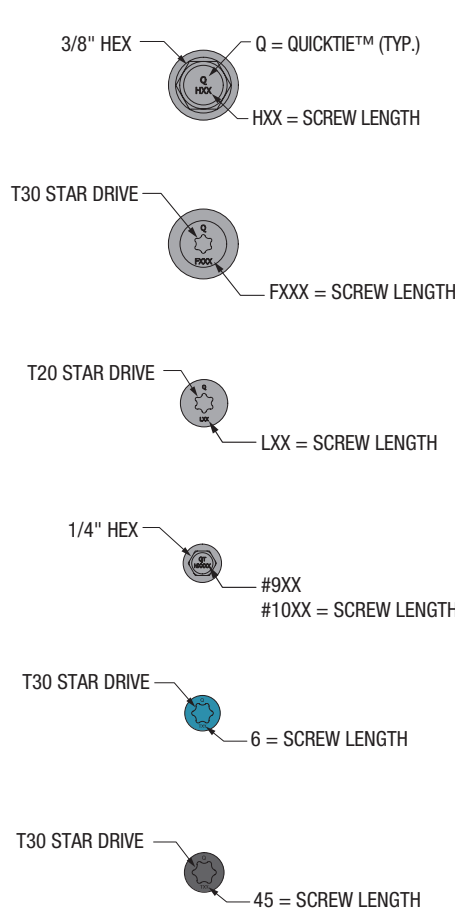
Carbon Steel, Heat Treated

### COATING:

Dorken Coating, Truss screw has an additional teal (SWT6) or black (SWT45) top coat

### CODE COMPLIANCE:

TER 0910-01, FL 3557



## WOOD SCREWS SPECIFICATIONS<sup>1,2</sup>

FASTENER TYPE	PART NUMBER	PART DESCRIPTION	LENGTHS (in.)			DIAMETER (in.)				Nominal Bending Yield, $F_{yb}$ (psi)	ALLOWABLE FASTENER	
			TOTAL	SHANK, S	THREAD, T	HEAD	MAJOR	SHANK	MINOR		Tension	Shear
SWH (HEX HEAD)	SWH15	1/4" x 1-1/2"	1-1/2"	1/4"	1-1/4"	0.540	0.254	0.241	0.185	168,000	1,435	985
	SWH2	1/4" x 2"	2"	1/4"	1-3/4"							
	SWH25	1/4" x 2-1/2"	2-1/2"	1/4"	2-1/4"							
	SWH3	1/4" x 3"	3"	3/4"								
	SWH35	1/4" x 3-1/2"	3-1/2"	3/4"	2-3/4"							
	SWH45	1/4" x 4-1/2"	4-1/2"	1-1/4"	3-1/4"							
	SWH5	1/4" x 5"	5"	1-3/4"								
	SWH6	1/4" x 6"	6"	1-3/4"	4-1/4"							
SWH8	1/4" x 8"	8"	4-3/4"	3-1/4"								
SWH #9 & #10* (HEX HEAD)	SWH915	#9 x 1-1/2"	1-1/2"	5/16"	1-13/64"	0.378	0.177	0.132	0.113	190,000	555	445
	SWH925	#9 x 2-1/2"	2-1/2"	1-5/16"								
	SWH1015	#10 x 1-1/2"	1-1/2"	3/8"			0.200	0.161	0.126			
	SWH1025	#10 x 2-1/2"	2-1/2"	1-3/8"								
SWF (FLAT HEAD)	SWF278	1/4" x 2-7/8"	2-7/8"	5/8"	2-1/4"	0.750	0.280	0.241	0.185	175,000	1,645	1,145
	SWF338	1/4" x 3-3/8"	3-3/8"	1-1/8"								
	SWF358	1/4" x 3-5/8"	3-5/8"	1-3/8"								
	SWF45	1/4" x 4-1/2"	4-1/2"	2-1/4"								
	SWF5	1/4" x 5"	5"	2-3/4"								
	SWF6	1/4" x 6"	6"	3-3/4"								
	SWF638	1/4" x 6-3/8"	6-3/8"	4-1/8"								
	SWF634	1/4" x 6-3/4"	6-3/4"	4-1/2"								
SWF8	1/4" x 8"	8"	5-3/4"									
SWL (FILLISTER HEAD)	SWL15	9 x 1-3/8"	1-3/8"	1/4"	1-1/8"	0.365	0.170	-	0.109	160,000	465	385
	SWL3	9 x 2-7/8"	2-7/8"	1-3/8"	1-1/2"							
SWT (TRUSS/STUD)	SWT45	0.15" x 4-1/2"	4-1/2"	-	4-5/16"	0.330	0.235	-	0.160	190,000	1,160	820
	SWT6	0.15" x 6"	6"	-	5-13/16"							

### NOTES:

1. SWF and SWT fastener length is measured from the top side of the head to the tip. SWH and SWL fastener length is measured from the underside of the head to the tip.

2. Thread length excludes the knurl on SWH and SWF. SWL and SWT do not contain a knurl.

\*Call QT for code approval information.

## REFERENCE LATERAL DESIGN VALUES (Z) FOR CONNECTIONS IN SAWN LUMBER (LB)<sup>1,2,3</sup>

Fastener Type	Part Number	Screw Length, L (in.)	Thread Length, T (in.)	Minimum Side Member Thickness (in.)	Minimum Main Member Penetration <sup>4</sup> (in.)	Wood Species (Specific Gravity)	
						SP (0.55) / DF-L (0.50)	
						Z <sub>  </sub>	Z <sub>⊥</sub>
SWH	SWH3	3	2-1/4	1.50	1.50	420	330
	SWH35	3-1/2	2-3/4				
	SWH45	4-1/2	3-1/4				
	SWH5	5	3-1/4	1.50	3.50	500	330
	SWH6	6	4-1/4				
SWH8	8	3-1/4					
SWF	SWF278	2-7/8	2-1/4	1.50	1.20	425	330
	SWF338	3-3/8	2-1/4				
	SWF358	3-5/8	2-1/4				
	SWF45	4-1/2	2-1/4	1.50	1.50	420	330
	SWF5	5	2-1/4				
	SWF6	6	2-1/4				
	SWF638	6-3/8	2-1/4				
	SWF634	6-3/4	2-1/4				
SWF8	8	2-1/4					
SWT	SWT45	4-1/2	4-5/16	1.50	3.00	295 <sup>(5)</sup>	
	SWT6	6	5-13/16				
SWL	SWL3	2-7/8	1-1/2	1.50	1.38	240	85

### NOTES:

- Reference lateral design values apply to two-member single shear connections where both members are of the same specific gravity and the fastener is oriented perpendicular to grain, unless otherwise noted.
- Tabulated lateral design values (Z) shall be adjusted by all applicable adjustment factors per NDS Table 11.3.1
- Z<sub>⊥</sub> = Lateral Design Values Perpendicular to Grain, Z<sub>||</sub> = Lateral Design Values Parallel to Grain.
- Fastener main member penetration is the length embedded in the main member, including the tip.
- Value is applicable where the main member is loaded parallel to grain and the side member is loaded perpendicular to grain.

## REFERENCE WITHDRAWAL DESIGN VALUES (LB/IN) AND MAXIMUM WITHDRAWAL DESIGN VALUES (LB)<sup>1,2</sup>

Fastener Type	Part Number	Screw Length, L (in.)	Thread Length, T (in.)	Wood Species (Specific Gravity)		
				SP (0.55) / DF-L (0.50)		
				Per Inch Thread Penetration (Includes Tip) (lb/in.)	Per Inch Thread Penetration (Excludes Tip) (lb/in.)	Max. Withdrawal Value <sup>1,2</sup> (lb)
SWH	SWH15	1-1/2	1-1/4	310	390	405
	SWH2	2	1-3/4			600
	SWH25	2-1/2	2-1/4			795
	SWH3	3	2-1/4			990
	SWH35	3-1/2	2-3/4			1180
	SWH45	4-1/2	3-1/4			1435
	SWH5	5	3-1/4			1180
	SWH8	8	3-1/4			
SWH #9 & #10*	SWH915	1-1/2	1-13/64	255	255	305
	SWH925	2-1/2	1-13/64			
	SWH1015	1-1/2	1-13/64			
	SWH1025	2-1/2	1-13/64			
SWF	SWF278	2-7/8	2-1/4	340	480	935
	SWF338	3-3/8	2-1/4			
	SWF358	3-5/8	2-1/4			
	SWF45	4-1/2	2-1/4			
	SWF5	5	2-1/4			
	SWF6	6	2-1/4			
	SWF638	6-3/8	2-1/4			
	SWF634	6-3/4	2-1/4			
SWF8	8	2-1/4				
SWT	SWT45	4-1/2	4-5/16	335	-	940
	SWT6	6	5-13/16			940
SWL	SWL15	1-1/8	1-1/2	225	-	250
	SWL3	2-7/8	1-1/2			335

### NOTES:

- Tabulated withdrawal values (W) shall be adjusted by all applicable adjustment factors per NDS Table 11.3.1.
  - Minimum fastener penetration into main member of 1" is required. Fastener penetration is the threaded length embedded in the main member.
- \*Call QT for code approval information.

## REFERENCE LATERAL DESIGN VALUES (Z) FOR CONNECTIONS WITH STEEL SIDE PLATE (LB)<sup>1,2,3</sup>

Fastener Name	Minimum Side Member Thickness <sup>4</sup> (in.)	Minimum Main Member Penetration <sup>5</sup>	Wood Species (Specific Gravity)	
			SP (0.55) / DF-L (0.50)	
			Z <sub>  </sub>	Z <sub>⊥</sub>
SWH15	0.075 (14 ga)	1.425	260	260
	0.105 (12 ga)	1.395	260	260
	0.120 (11 ga)	1.380	260	260
	0.134 (10 ga)	1.366	260	260
	0.179 (7 ga)	1.321	260	260
	0.239 (3 ga)	1.261	260	260
SWH2	0.075 (14 ga)	1.925	330	330
	0.105 (12 ga)	1.895	330	330
	0.120 (11 ga)	1.880	330	330
	0.134 (10 ga)	1.866	330	330
	0.179 (7 ga)	1.821	330	330
	0.239 (3 ga)	1.761	330	330
SWH25	0.075 (14 ga)	2.425	400	40
	0.105 (12 ga)	2.395	400	400
	0.120 (11 ga)	2.380	400	400
	0.134 (10 ga)	2.366	430	430
	0.179 (7 ga)	2.321	430	430
	0.239 (3 ga)	2.261		
SWH3 SWH35 SWH45	0.075 (14 ga)	2.925	710	595
	0.105 (12 ga)	2.895	730	615
	0.120 (11 ga)	2.880	740	625
	0.134 (10 ga)	2.866	750	630
	0.179 (7 ga)	2.821	780	660
	0.239 (3 ga)	2.761	780	660
SWH5 SWH6 SWH8	0.075 (14 ga)	4.925	825	820
	0.105 (12 ga)	4.895	790	815
	0.120 (11 ga)	4.880	775	810
	0.134 (10 ga)	4.866	760	810
	0.179 (7 ga)	4.821	710	800
	0.239 (3 ga)	4.761	710	800
SWH #915*	0.075 (20 ga)	1.465	205	205
SWH #925*		1.465	250	270
SWH #1015*		1.465	225	220
SWH #1025*		1.465	270	290
SWL15		0.048 (18 ga)	1.330	330
SWL3				

### NOTES:

- Tabulated lateral design values (Z) shall be adjusted by all applicable adjustment factors per NDS Table 11.3.1.
  - Z<sub>⊥</sub> = Lateral Design Values Perpendicular to Grain, Z<sub>||</sub> = Lateral Design Values Parallel to Grain.
  - Fastener main member penetration is the length embedded in the main member, including the tip.
  - Tabulated allowable shear values apply to assemblies having a wood main member with a specific gravity of at least 0.50 and a steel side plate with an ultimate tensile strength of at least 65 ksi.
- \*Call QT for code approval information.

## REFERENCE HEAD PULL-THROUGH DESIGN VALUES (LB)<sup>1,2</sup>

Fastener Type	Head Diameter (in.)	Wood Species (Specific Gravity)
		SP (0.55) / DF-L (0.50)
SWH	0.540	790
SWF	0.750	1210
SWL	0.365	430

### NOTES:

- Tabulated pull-through values (P) shall be adjusted by all applicable adjustment factors per NDS Table 11.3.1.
- Pull-through design values apply to connections having a minimum wood side member thickness of at least 1.5".

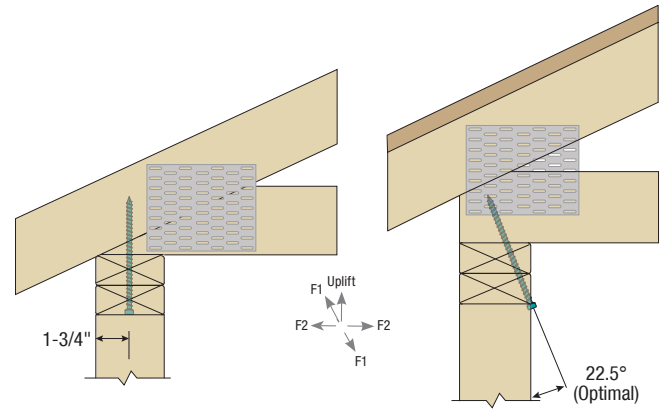
# Truss to Plate Connections using QuickTie™ Truss Screws (SWT)

## ALLOWABLE UPLIFT AND LATERAL LOADS FOR TRUSS SCREW IN TOP PLATE TO TRUSS/RAFTER/JOIST CONNECTIONS<sup>1,2,3</sup>

Fastener Designation	Min. Penetration into Truss/Rafter/Joist (in.)	Top Plate	Fastener Angle to Vertical	Allowable Loads (lb)		
				SP (SG = 0.55)		
				Uplift	F1	F2
SWT6	2-1/2	Double	0°	940	530	500
			22.5°	940	360	705

### NOTES:

- Wood truss, rafter, or floor joist members shall be a minimum of 2" nominal thickness.
- Includes 1.6 duration of load increase for wind and seismic. No further duration of load increases permitted. Reduce design values for other load durations as applicable.
- Install fastener at an upward angle from the vertical of 20° to 25° (22.5° is optimal) or 0°. For installation between 20° and 25°, design values for 22.5° may be used.

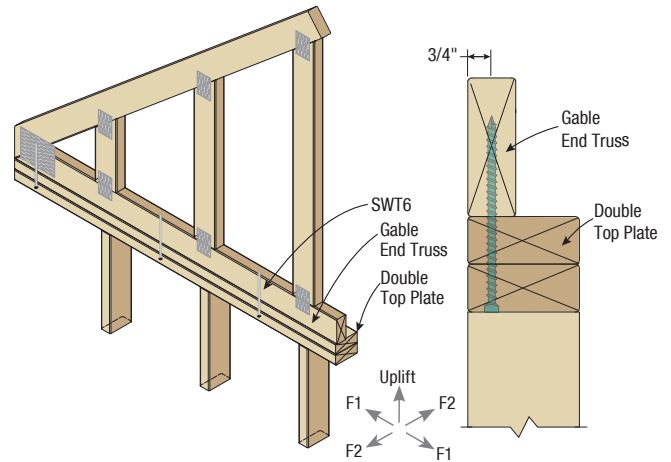


## ALLOWABLE UPLIFT AND LATERAL LOADS FOR TRUSS SCREW IN TOP PLATE TO GABLE END TRUSS CONNECTIONS<sup>1,2,3</sup>

Fastener Designation	Min. Penetration into Gable End Truss (in.)	Top Plate	Fastener Angle to Vertical	Allowable Loads (lb)		
				SP (SG = 0.55)		
				Uplift	F1	F2
SWT6	3	Double	0°	940	650	565

### NOTES:

- Gable end truss bottom chord shall be a minimum of 2" nominal thickness. Design of truss, rafter, or floor joist is by others.
- Includes 1.6 duration of load increase for wind and seismic. No further duration of load increases permitted. Reduce design values for other load durations as applicable.
- Install fastener at an upward angle from the vertical of 0 degrees. Fastener edge distance is 3/4".

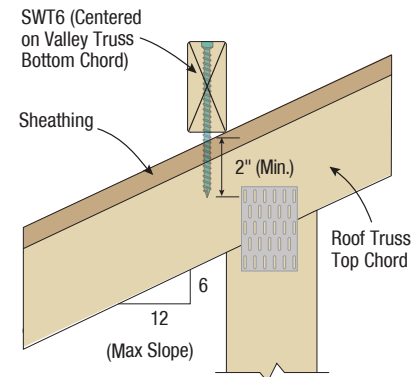


## ALLOWABLE UPLIFT LOAD FOR TRUSS SCREW IN VALLEY TRUSS CONNECTION<sup>1,2,3,4</sup>

Fastener Designation	Min. Penetration into Main Member (in.)	Fastener Angle to Vertical	Allowable Uplift Load (lb)
			SP (SG = 0.55)
SWT6	2	0°	675

### NOTES:

- Install fastener at an angle from the vertical of 0°, with the fastener centered on the valley truss bottom chord members.
- Truss members shall be a minimum of 2" nominal thickness. Sheathing may be installed between the truss members.
- Lower truss member may have a maximum 6:12 pitch. A minimum 2" penetration into the main member is required.
- Includes 1.6 duration of load increase for wind and seismic. No further duration of load increases permitted. Reduce design values for other load durations as applicable.

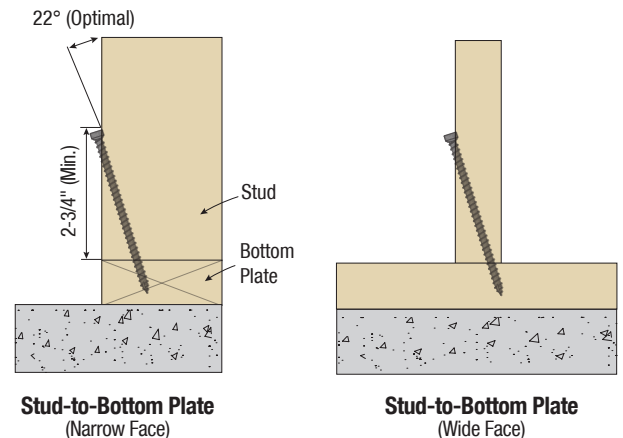


## ALLOWABLE UPLIFT AND LATERAL LOADS FOR STUD TO PLATE CONNECTIONS, FASTENER INSTALLED IN NARROW & WIDE FACES

Fastener Designation <sup>1</sup>	Nominal Plate Thickness <sup>2</sup>	Allowable Loads <sup>3,4</sup> (lb)	
		SP (SG = 0.55)	
		Uplift	Lateral (F2) <sup>5</sup>
SWT45	2x	565	405

### NOTES:

- Fastener shall be installed at an angle between 20-30 degrees. 22 degrees is optimal.
- Dimensional lumber members shall be a minimum of 2" nominal thickness.
- Includes 1.6 duration of load increase for wind and seismic. No further duration of load increases permitted. Reduce design values for other load durations as applicable.
- Limit one fastener installed in the narrow face of each stud.
- The lateral load direction (F2) is perpendicular to the face of the wall.



# Warranty



Quick Tie Products, Inc. warrants that, after reasonable notice in writing delivered to its corporate office at 13300 Vantage Way, Jacksonville, FL 32218, from the date of purchase and for a period of one year, and after reasonable opportunity to inspect, it will replace without charge, any product manufactured by QuickTie™ which, upon inspection, is found by QuickTie™ to have been defective at the time of delivery by QuickTie™. This warranty does not apply if the claim is made more than one year from the date of purchase, or, in the event the products have been altered, damaged, installed improperly or misused in any manner after delivery by QuickTie™. This remedy shall constitute QuickTie's sole obligation and purchaser's sole remedy under this warranty. In no event will QuickTie™ be responsible for incidental, consequential, or special losses or damage regardless of cause. All warranties are void on products installed with epoxies that either (a) are not sold by QuickTie™ or (b) do not carry the QuickTie™ label.

Products sold, but not manufactured, by QuickTie™ shall be subject to the warranties and conditions thereof of the respective manufacturers. There are no warranties which extend beyond the description on the face hereof, and the warranty described in this paragraph shall be in lieu of any other warranty, expressed or implied, including but not limited to any implied warranties of merchantability, fitness for a particular purpose, course of dealing or usage of trade, all such other warranties being hereby expressly excluded.



*We Sell*  
**NATIONWIDE**



**Quick Tie Products, Inc.**  
quicktie.com

**MAIN OFFICE:**  
13300 Vantage Way  
Jacksonville, FL 32218  
Phone: (904) 281-0525  
To Order: orders@quicktieproducts.com

©Copyright 2026 Quick Tie Products, Inc.  
Rev. 3/12/26



*“Stronger in the Storm”™*

**quicktie.com**



**TER 0910-01**  
(QuickTie™ Systems-  
Wood & QuickTie™  
Connectors)



**TER 1811-03**  
(QuickTie™  
U-Hanger Series)